

E-FLOW



GATE VALVE CATALOGUE



Introduction

E-FLOW is committed to provide the best quality and value in our products and services to meet every user's needs

E-FLOW Overview

E-FLOW was established on the year 2008 with the co-operation of Realtec Pte Ltd together with various reputable valve manufacturing company in Korea, Taiwan and China.

With the aim of becoming a global company trusted by worldwide customers, we form the partnership to bring our combined year of experience together in development of application-based and problem solving design specifications to provide solution with the best performance.

E-FLOW valves to provide superior products with the best technology together with the highest quality to meet every user's needs at the lowest cost.

Our vision is to provide the best quality and value in our products and services

Market Served

E-FLOW product provides flow control solutions to a wide range of market and has been widely used in:

- ⇒ Oil and Gas
- ⇒ Power Plant
- ⇒ Paper Making & Pulp
- ⇒ Petroleum & Petrochemical
- ⇒ Biopharmaceutical
- ⇒ Food & Beverage
- ⇒ Beer Beverage
- ⇒ Tobacco
- ⇒ Refined Sugar
- ⇒ Water Treatment Plant



Description

Gate valves are primarily designed for on-off services when a straight-line flow of fluid and minimum restriction is desired. The closure member of gate valves either stops or allows flow through the valve and acts somewhat like the opening or closing of a gate and is called, appropriately, the gate valve. The gate is also shown as a wedge, due to the shape it resembles. When the valve is open, the closure member is fully drawn up into the valve, leaving a complete opening for the flow stream. Therefore, there is little pressure drop or flow restriction through the valve.

Applications:

- Petroleum



- Electric Power



- Chemical Industry



- Mining



Features

Firesafe

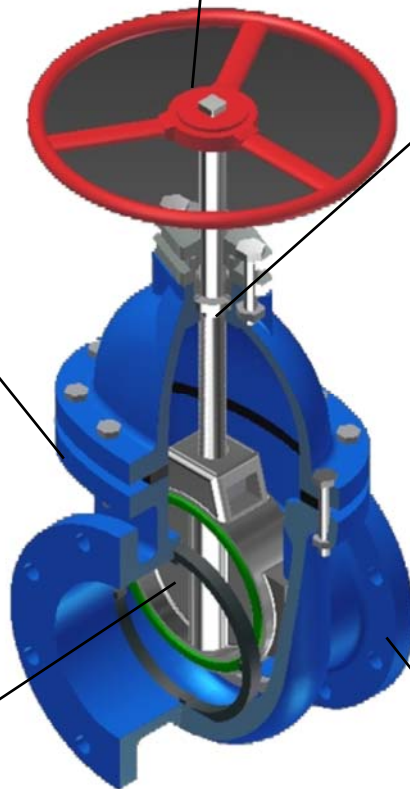
Fire safe by design. Meet the requirement of firesafe API 607.

Fugitive Emissions

Meet international standards for fugitive emissions including API 622 and ISO 15848-1 standard.

Ease of Service and Maintenance

Back seat bushing allows replacement of packing while disc wedge is in fully open position during operation.



Completely Tight Shut-Off

Flexible wedge disc design provides an effective tight seal.

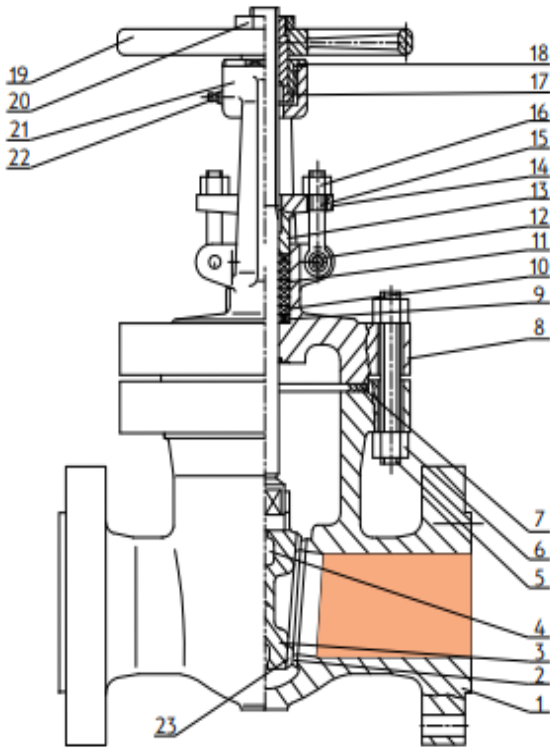
Material

All materials can be supplied to NACE MR-01-75 compliance.

Cast Steel Gate Valve

Class 150 ~ 1500

Specifications



Pressure Rating:	Class 150 ~ 1500
Design Standard:	API 600 / BS 1414
Inspection Standard:	API 598
Connection Flange:	ANSI B16.5 / 26" & larger MSS SP-44
Face to Face Dimension:	ANSI B16.10
Service Medium:	Water, oil, gas, etc.



Features

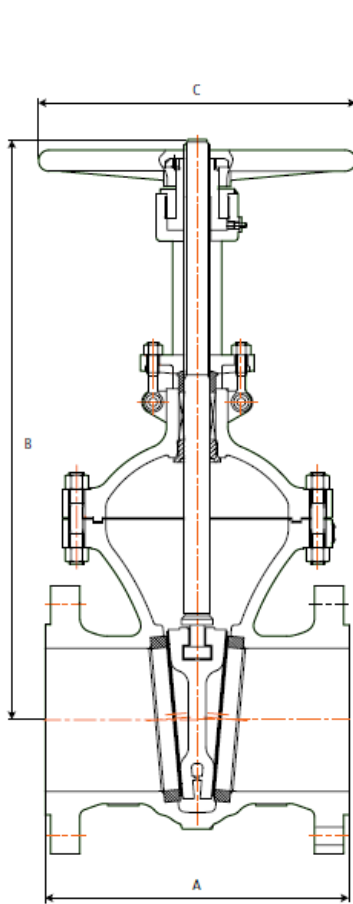
- Outside screw & yoke
- Flexible wedge
- Bolted bonnet

Material List

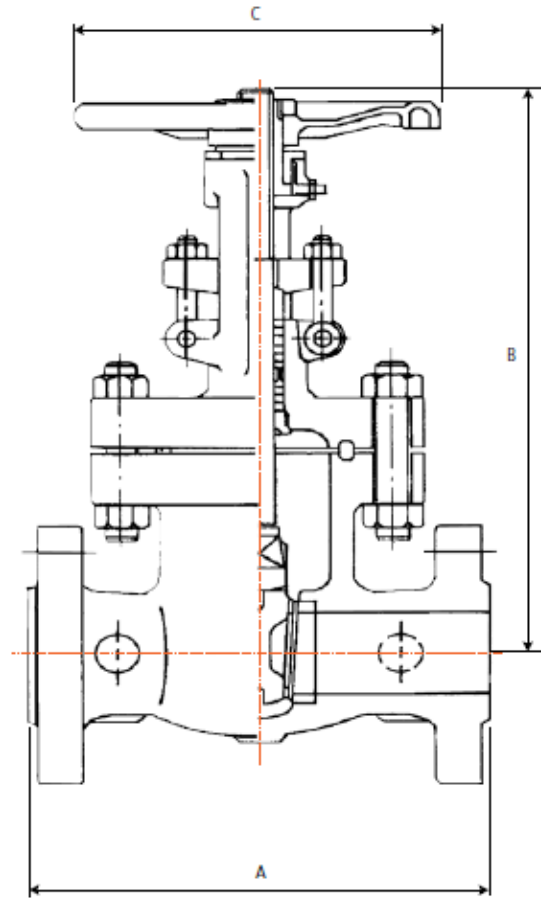
Item No.	Part Name	Carbon Steel				Stainless Steel				
		WCB	WCC	LCB	LCC	CF8	CF8M	CF3	CF3M	
1	Body	A216 WCB	A216 WCC	A352 LCB	A352 LCC	A351 CF8	A351 CF8M	A351 CF3	A351 CF3M	
2	Seat Ring	A105	A105	A350 LF2	A350 LF2	A182 F304	A182 F316	A182 F304L	A182 F316L	
3	Wedge	A216 WCB	A216 WCC	A352 LCB	A352 LCC	A351 CF8	A351 CF8M	A351 CF3	A351 CF3M	
4	Stem	A182 F6	A182 F6	A182 F304	A182 F304	A182 F304	A182 F316	A182 F304L	A182 F316L	
5	Bonnet Bolt	A193 B7 A320 L7 A193 B16 A320 B8 A193 B8M								
6	Bonnet Nut	A194 2H A194 4 A194 7 A194 8								
7	Gasket	Solid metal serrated gasket				Stainless steel & Graphite wound		Non-metallic gasket		
		Stainless steel or Soft iron ring gasket								
8	Bonnet	A216 WCB	A216 WCC	A352 LCB	A352 LCC	A351 CF8	A351 CF8M	A351 CF3	A351 CF3M	
9	Back Seat Bushing	A182 F6	A182 F6	A182 F6	A182 F6	A182 F304	A182 F316	A182 F304L	A182 F316L	
10	Stem Packing	Braided / Flexible Graphite or PTFE								
11	Lantern*	A182 F6	A182 F6	A182 F6	A182 F6	A182 F304	A182 F316	A182 F304L	A182 F316L	
12	Pin	Carbon Steel			Stainless Steel		Alloy Steel			
13	Gland	A182 F6	A182 F6	A182 F6	A182 F6	A182 F304	A182 F316	A182 F304L	A182 F316L	
14	Gland Flange	A216 WCB	A216 WCC	A352 LCB	A352 LCC	A351 CF8	A351 CF8M	A351 CF3	A351 CF3M	
15	Gland Eyebolt	A307 B A307 L7 A193 B7 A193 B8 A193 B8M								
16	Gland Nut	A194 2H A194 4 A194 8								
17	Stem Nut	A439D2 (Austenitic DI)				ZCuA110Fe3 (AL-Bronze)				
18	Retaining Nut	Carbon Steel			Alloy Steel					
19	Handwheel	Ductile Iron			Carbon Steel					
20	Handwheel Lock Nut	Carbon Steel			Stainless Steel		Alloy Steel			
21	Yoke	A216 WCB	A216 WCC	A352 LCB	A352 LCC	A351 CF8	A351 CF8M	A351 CF3	A351 CF3M	
22	Nipple	Copper Alloy			Carbon Steel		Stainless Steel			
23	Seat / Wedge Facing	13Cr		16Cr-8Ni	HF(Co-CrA)	316	304			

*Lantern Ring where applicable

Dimension Table (Class 150 ~ 1500)



Class 150 ~ 300



Class 300 ~ 1500

Class 150

DIMENSIONS (MM)

Size (in)	1-1/2"	2"	2-1/2"	3"	4"	6"	8"	10"	12"	14"	16"
A. Face to Face RF	165	178	190	203	229	268	292	330	356	381	406
A. End to End BW	165	216	241	283	305	403	419	457	502	571	610
B. Valve Open	365	390	435	511	610	765	978	1146	1372	1587	1759
C. Hand Wheel Dia	229	229	229	254	305	356	406	457	508	559	559
Weight (Kg) RF *	20	24	28	30	50	85	127	195	283	450	560

For 1/2" to 1" dimensions see page 57 and overview brochure.

DIMENSIONS (MM)

Size (in)	18"	20"	22"	24"	26"	28"	30"	32"	36"	42"	48"
A. Face to Face RF	432	457	508	508	559	610	610	660	711	787	914
A. End to End BW	660	711	762	813	864	914	914	965	1016	1092	-
B. Valve Open	1930	2156	2346	2515	2721	2896	3130	3264	3588	4610	4842
C. Hand Wheel Dia	559	610	660	660	813	813	813	815	813	813	-
Weight (Kg) RF *	700	900	1050	1350	2000	2400	2800	3400	3820	5900	7300

For 1/2" to 1" dimensions see page 57 and overview brochure.

For CF8/CF8M 150lb gate see page 57.

Class 300

DIMENSIONS (MM)

Size (in)	1-1/2"	2"	2-1/2"	3"	4"	6"	8"	10"	12"	14"	16"
A. Face to Face RF	190	216	241	283	305	403	419	457	502	762	838
A. End to End BW	190	216	241	283	305	403	419	457	502	762	838
B. Valve Open	365	429	457	527	619	829	1025	1213	1473	1589	1784
C. Hand Wheel Dia	229	229	229	254	305	406	457	508	559	559	559
Weight (Kg) RF *	20	24	44	50	74	137	217	337	580	715	1050

For 1/2" to 1" dimensions see page 58 and overview brochure.

For RTJ & 5" dimensions see overview brochure.

DIMENSIONS (MM)

Size (in)	18"	20"	24"								
A. Face to Face RF	914	991	1143								
A. End to End BW	914	991	1143								
B. Valve Open	1965	2194	2578								
C. Hand Wheel Dia	610	660	660								
Weight (Kg) RF *	1235	1655	2320								

For CF8/CF8M 300lb gate see page 58.

Cast Steel Gate Valve

E-FLOW

Dimension Table (Class 150 ~ 1500)

Class 600

DIMENSIONS (MM)

Size (in)	1-1/2"	2"	2-1/2"	3"	4"	6"	8"	10"	12"	14"	16"
A. Face to Face RF	241	292	330	356	432	559	660	787	838	889	991
A. Face to Face RTJ	241	390	333	359	435	562	664	790	841	892	994
A. End to End BW	241	292	330	356	432	559	660	787	838	889	991
B. Valve Open	362	387	457	514	638	838	1029	1270	1486	1667	1832
C. Hand Wheel Dia	229	229	254	305	406	508	559	610	660	660	660
Weight (Kg) RF	35	48	60	85	135	325	515	840	1100	1360	1910
Weight (Kg) BW	22	38	45	70	105	265	380	700	925	1240	1580

DIMENSIONS (MM)

Size (in)	18"	20"	24"								
A. Face to Face RF	1092	1194	1397								
A. Face to Face RTJ	1095	1197	1400								
A. End to End BW	1092	1194	1397								
B. Valve Open	2013	2331	2610								
C. Hand Wheel Dia	813	813	813								
Weight (Kg) RF	2335	2750	4450								
Weight (Kg) BW	1900	2150	3660								

For 5" and 26" to 36" dimensions see overview brochure.

Class 900

DIMENSIONS (MM)

Size (in)	2"	2-1/2"	3"	4"	6"	8"	10"	12"	14"	16"	18"
A. Face to Face RF/BW	368	419	381	457	610	737	838	965	1029	1130	1219
A. Face to Face RTJ	371	422	384	460	613	740	841	968	1038	1140	1232
B. Valve Open	660	702	800	902	1121	1470	1571	1715	1880	2067	2267
C. Hand Wheel Dia	356	406	356	559	610	813	610	610	610	760	-
Weight (Kg) RF	100	140	120	190	460	860	1050	1600	2220	3000	3870
Weight (Kg) BW	80	120	110	180	400	710	830	1350	1890	2565	3300

Note: 900# 2" & 2-1/2" are the same as 1500# 2" & 2-1/2"

DIMENSIONS (MM)

Size (in)	20"										
A. Face to Face RF	1321										
A. Face to Face RTJ	1333										
B. Valve Open	2440										
C. Hand Wheel Dia	760										
Weight (Kg) RF	4860										
Weight (Kg) BW	4050										

For 5" and 24" dimensions & weights see overview brochure.

Class 1500

DIMENSIONS (MM)

Size (in)	2"	2-1/2"	3"	4"	6"	8"	10"	12"	14"	16"	18"
A. Face to Face RF/BW	368	419	470	546	705	832	991	1130	1257	1384	1537
A. Face to Face RTJ	371	422	473	549	711	841	1000	1146	1276	1407	1559
B. Valve Open	590	702	781	879	1181	1343	1511	1711	1880	2067	2267
C. Hand Wheel Dia	356	406	406	559	610	813	915	915	915	-	-
Weight (Kg) RF	100	140	180	340	700	1211	2092	2951	4382	6950	9000
Weight (Kg) BW	90	130	160	240	590	986	1765	2586	3659	6000	7740

DIMENSIONS (MM)

Size (in)	20"										
A. Face to Face RF	1664										
A. Face to Face RTJ	1686										
A. Short Pattern End to End BW	1473										
B. Valve Open	2440										
C. Hand Wheel Dia	-										
Weight (Kg) RF	11130										
Weight (Kg) Short Pattern BW	-										
Long Pattern BW	9560										

For 5" and 24" dimensions & weights see overview brochure.