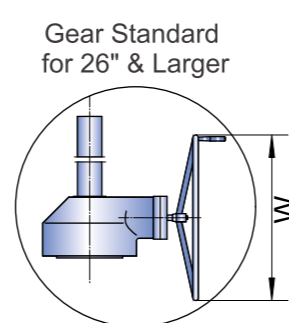
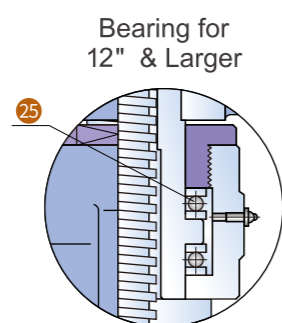
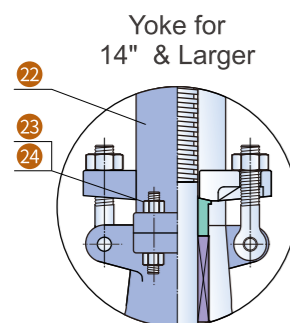
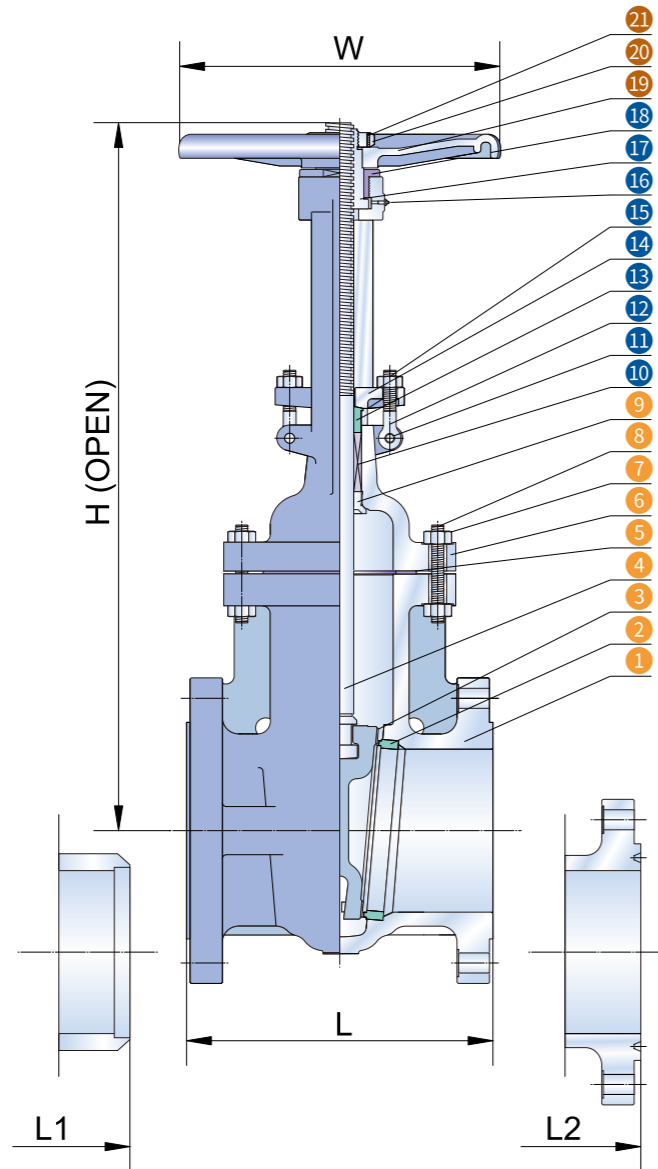


Cast Steel Gate Valve

Class 150

Figure No. GA1RCB8 / GA1BCB8 / GA1JCB8



STANDARD MATERIALS OF PARTS

ITEM	PART NAME	MATERIAL
1	Body	ASTM A216 GR WCB
2	Seat Ring	ASTM A105+Stellite Faced
3	Disc	ASTM A216 GR.WCB+13Cr Faced
4	Stem	ASTM A182 GR.F6a
5	Gasket	SS+ Graphite
6	Bonnet	ASTM A216 GR.WCB
7	Bonnet Bolt Nuts	ASTM A194 GR.2H
8	Bonnet Bolts	ASTM A193 GR.B7
9	Backseat Bushing	ASTM A276 Type 410
10	Stem Packing	Braided Graphite & Die formed Graphite Ring
11	Eye Bolt Pins	Carbon Steel
12	Gland Eye Bolts	ASTM A307 GR.B
13	Gland	ASTM A276 Type 410
14	Gland Flange	ASTM A216 GR.WCB
15	Eye Bolt Nuts	ASTM A563
16	Grease Nipple	Carbon Steel
17	Stem Nut	ASTM A439 GR.D-2
18	Retaining Nut	Carbon Steel
19	Handwheel	Ductile Iron
20	Handwheel Nut	Carbon Steel
21	Screw	Carbon Steel
22	Yoke	ASTM A 216 GR.WCB
23	Yoke Pan Bolt Nuts	ASTM A563
24	Yoke Pan Bolts	ASTM A307 B
25	Bearing	Steel

FEATURES

- OS & Y, Rising Stem
- Bolted Bonnet
- Flexible Wedge
- Extended Bonnet For Cryogenic Services
- By Pass On Request
- Locking Device Optional

SPECIFICATIONS

Design	ASME B16.34/API 600
Face To Face	ASME B16.10
End To End	ASME B16.10
End Flange	ASME B16.5/B16.47
BW End	ASME B16.25
Test	API 598
Special	NACE MR-01-75

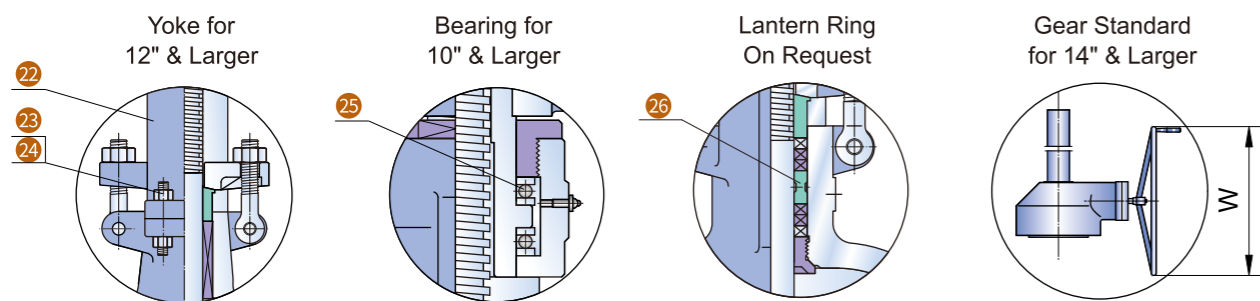
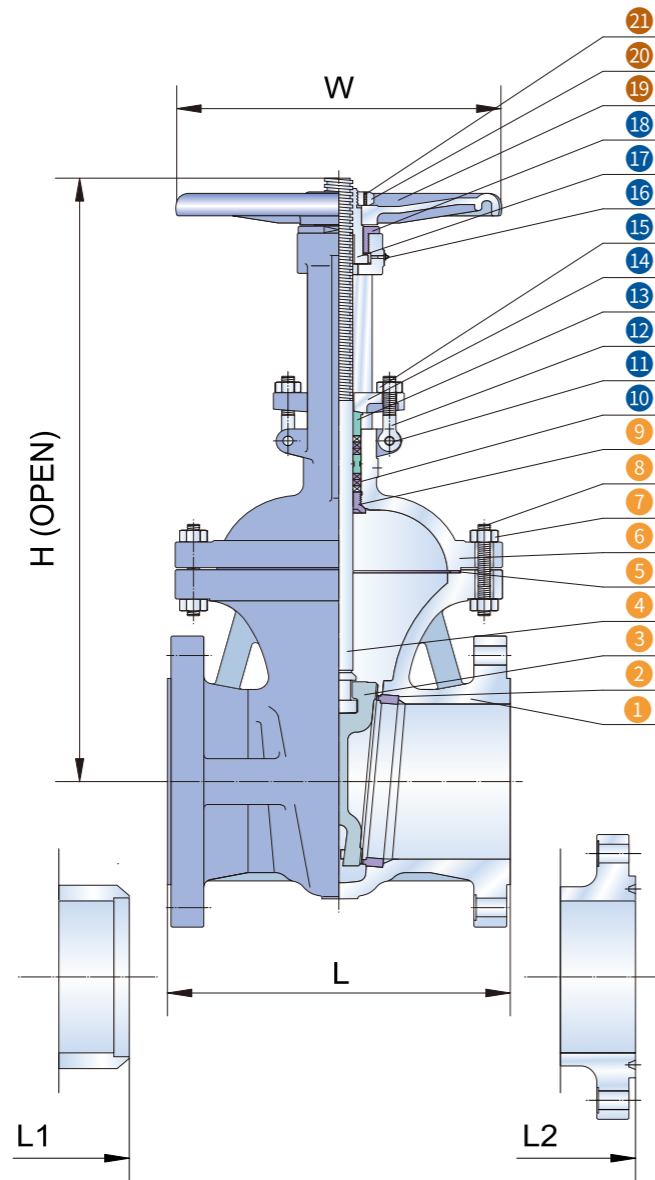
Dimensions And Weights

SIZE	in	2"	2.5"	3"	4"	6"	8"	10"	12"	14"	16"	18"	20"	24"	26"	28"	30"	32"	36"	40"	42"	48"
mm	50	65	80	100	150	200	250	300	350	400	450	500	600	650	700	750	800	900	1000	1050	1200	
L	in	7.00	7.50	8.00	9.00	10.50	11.50	13.00	14.00	15.00	16.00	17.00	18.00	20.00	22.00	24.00	24.00	28.00	28.00	30.00	31.00	34.00
mm	178	191	203	229	267	292	330	356	381	406	432	457	508	559	610	610	660	711	762	787	864	
L1	in	8.50	9.50	11.12	12.00	15.88	16.50	18.00	19.75	22.50	24.00	26.00	28.00	32.00	34.00	36.00	36.00	38.00	40.00	42.00	43.00	46.00
mm	216	241	283	305	403	419	457	502	572	610	660	711	813	864	914	914	965	1016	1067	1092	1168	
L2	in	7.50	8.00	8.50	9.50	11.00	12.00	13.50	14.50	15.50	16.50	17.50	18.50	20.50	-	-	-	-	-	-	-	-
mm	191	203	216	241	279	305	343	368	394	419	445	470	521	-	-	-	-	-	-	-	-	-
H	in	15.31	17.28	19.69	23.43	30.59	38.39	45.67	54.72	61.22	71.30	82.80	90.55	102.72	109.45	130.98	141.97	145.98	154.49	168.50	175.39	193.31
mm	389	439	512	603	777	975	1160	1390	1520	1700	1876	2127	2526	2780	2991	3141	3312	3700	4280	4455	4910	
W	in	8	8	10	10	14	14	16	18	22	24	25	27	30	24	24	24	24	24	24	32	32
mm	200	200	250	250	350	350	400	450	500	560	640	680	760	810	610	610	610	610	610	610	810	810
WEIGHT	Kg	17	23	29	47	80	129	192	287	410	571	720	1170	1466	1699	1931	2380	2490	3600	4580	4710	6500

Cast Steel Gate Valve

Class 300

Figure No. GA3RCB8 / GA3BCB8 / GA3JCB8



STANDARD MATERIALS OF PARTS

ITEM	PART NAME	MATERIAL
1	Body	ASTM A216 GR. WCB
2	Seat Ring	ASTM A105+Stellite Faced
3	Disc	ASTM A216 GR.WCB+13Cr Faced
4	Stem	ASTM A182 GR.F6a
5	Gasket	SS+ Graphite
6	Bonnet	ASTM A216 GR.WCB
7	Bonnet Bolt Nuts	ASTM A194 GR.2H
8	Bonnet Bolts	ASTM A193 GR.B7
9	Backseat Bushing	ASTM A276 Type 410
10	Stem Packing	Braided Graphite & Die formed Graphite Ring
11	Eye Bolt Pins	Carbon Steel
12	Gland Eye Bolts	ASTM A307 GR.B
13	Gland	ASTM A276 Type 410
14	Gland Flange	ASTM A216 GR.WCB
15	Eye Bolt Nuts	ASTM A563
16	Grease Nipple	Carbon Steel
17	Stem Nut	ASTM A439 GR.D-2
18	Retaining Nut	Carbon Steel
19	Handwheel	Ductile Iron
20	Handwheel Nut	Carbon Steel
21	Screw	Carbon Steel
22	Yoke	ASTM A 216 GR.WCB
23	Yoke Pan Bolt Nuts	ASTM A563
24	Yoke Pan Bolts	ASTM A307 B
25	Bearing	Steel
26	Lantern Ring On Request	ASTM A276 Type 410

FEATURES

- OS & Y, Rising Stem
- Bolted Bonnet
- Flexible Wedge
- Extended Bonnet For Cryogenic Services
- By Pass On Request
- Locking Device Optional

SPECIFICATIONS

Design	ASME B16.34/API 600
Face To Face	ASME B16.10
End To End	ASME B16.10
End Flange	ASME B16.5/B16.47
BW End	ASME B16.25
Test	API 598
Special	NACE MR-01-75

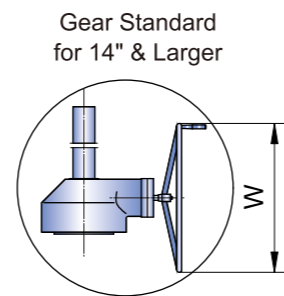
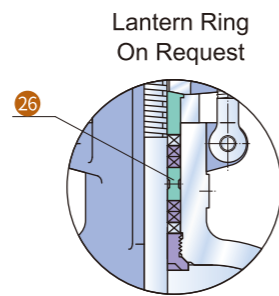
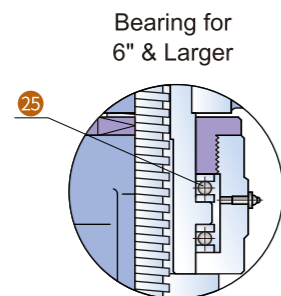
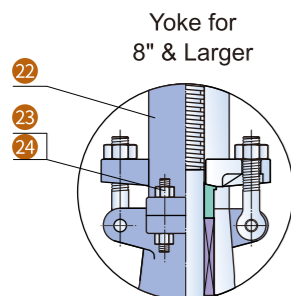
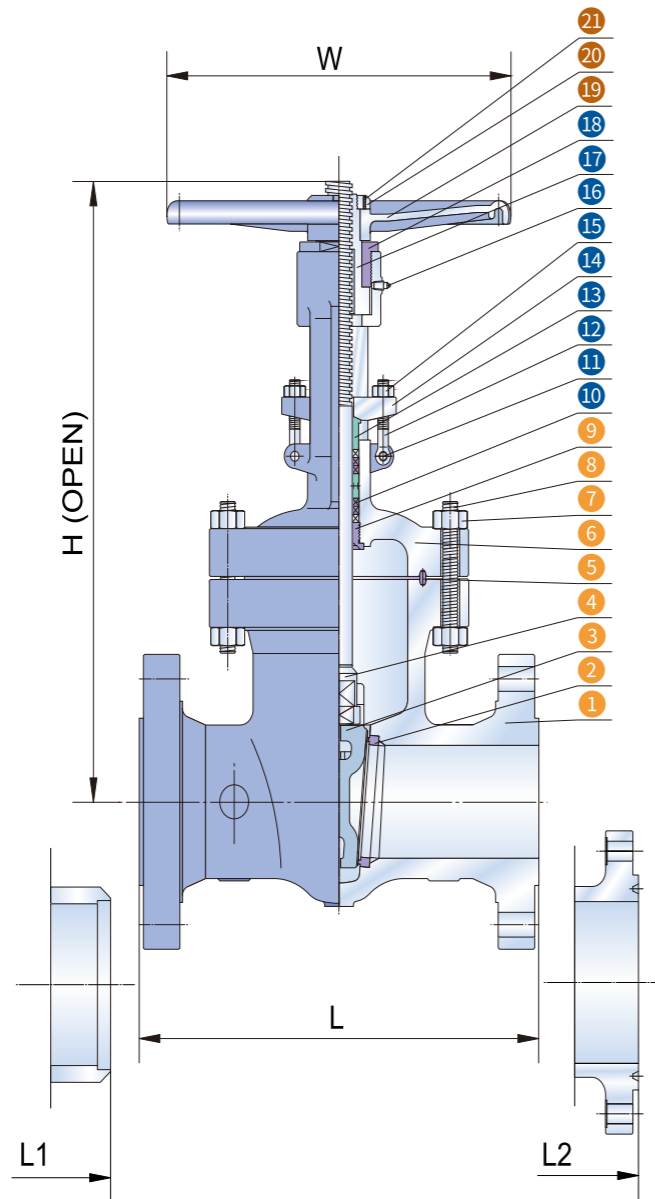
Dimensions And Weights

SIZE	in	2"	2.5"	3"	4"	6"	8"	10"	12"	14"	16"	18"	20"	24"	26"	28"	30"	32"	36"
mm	50	65	80	100	150	200	250	300	350	400	450	500	600	650	700	750	800	900	
L/L1	in	8.50	9.50	11.12	12.00	15.88	16.50	18.00	19.75	30.00	33.00	36.00	39.00	45.00	49.00	53.00	55.00	60.00	68.00
mm		216	241	283	305	403	419	457	502	762	838	914	991	1143	1245	1346	1397	1524	1727
L2	in	9.12	10.12	11.74	12.62	16.50	17.12	18.62	20.37	30.62	33.62	36.62	39.75	45.88	50.00	54.00	56.00	61.12	69.12
mm		232	257	298	321	419	435	473	517	778	854	930	1010	1165	1270	1372	1422	1552	1756
H	in	16.93	19.88	20.87	24.80	31.50	39.69	48.82	57.87	64.76	72.48	77.13	86.38	102.28	110.24	122.05	130.71	140.16	153.94
mm		430	505	565	630	820	1008	1240	1420	1543	1725	1959	2257	2654	2800	3100	3320	3560	3910
W	in	8	10	10	10	14	16	18	20	24	24	24	24	24	24	24	32	32	32
mm		200	250	250	250	350	400	450	500	560	640	610	610	610	610	610	810	810	810
WEIGHT RF	Kg	30	45	57	88	147	219	368	522	694	1080	1235	1655	2320	3100	3893	4930	5230	6885

Cast Steel Gate Valve

Class 600

Figure No. GA6RCB8 / GA6BCB8 / GA6JCB8



STANDARD MATERIALS OF PARTS

ITEM	PART NAME	MATERIAL
1	Body	ASTM A216 GR. WCB
2	Seat Ring	ASTM A105+Stellite Faced
3	Disc	ASTM A216 GR.WCB+13Cr Faced
4	Stem	ASTM A182 GR.F6a
5	Ring Joint	Soft Iron
6	Bonnet	ASTM A216 GR.WCB
7	Bonnet Bolt Nuts	ASTM A194 GR.2H
8	Bonnet Bolts	ASTM A193 GR.B7
9	Backseat Bushing	ASTM A276 Type 410
10	Stem Packing	Braided Graphite & Die formed Graphite Ring
11	Eye Bolt Pins	Carbon Steel
12	Gland Eye Bolts	ASTM A307 GR.B
13	Gland	ASTM A276 Type 410
14	Gland Flange	ASTM A216 GR.WCB
15	Eye Bolt Nuts	ASTM A563
16	Grease Nipple	Carbon Steel
17	Stem Nut	ASTM A439 GR.D-2
18	Retaining Nut	Carbon Steel
19	Handwheel	Ductile Iron
20	Handwheel Nut	Carbon Steel
21	Screw	Carbon Steel
22	Yoke	ASTM A 216 GR.WCB
23	Yoke Pan Bolt Nuts	ASTM A563
24	Yoke Pan Bolts	ASTM A307 B
25	Bearing	Steel
26	Lantern Ring On Request	ASTM A276 Type 410

FEATURES

- Os & Y, Rising Stem
- Bolted Bonnet
- Flexible Wedge
- Extended Bonnet For Cryogenic Services
- By Pass On Request
- Locking Device Optional

SPECIFICATIONS

Design	ASME B16.34/API 600
Face To Face	ASME B16.10
End To End	ASME B16.10
End Flange	ASME B16.5
BW End	ASME B16.25
Test	API 598
Special	NACE MR-01-75

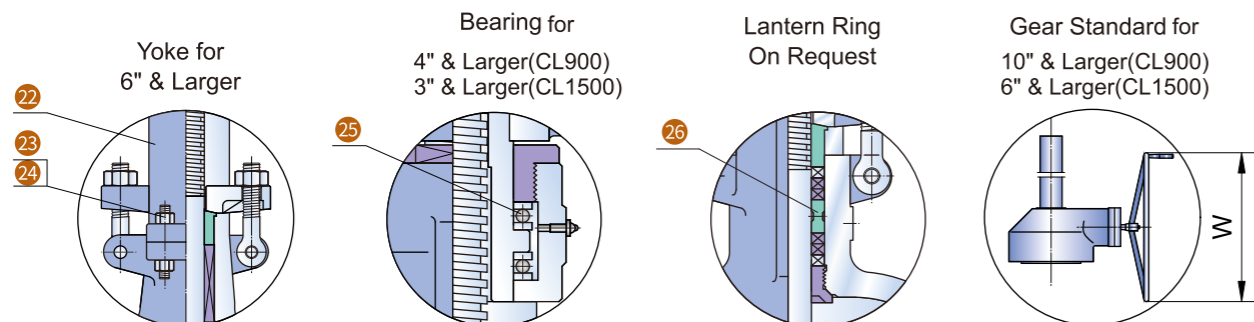
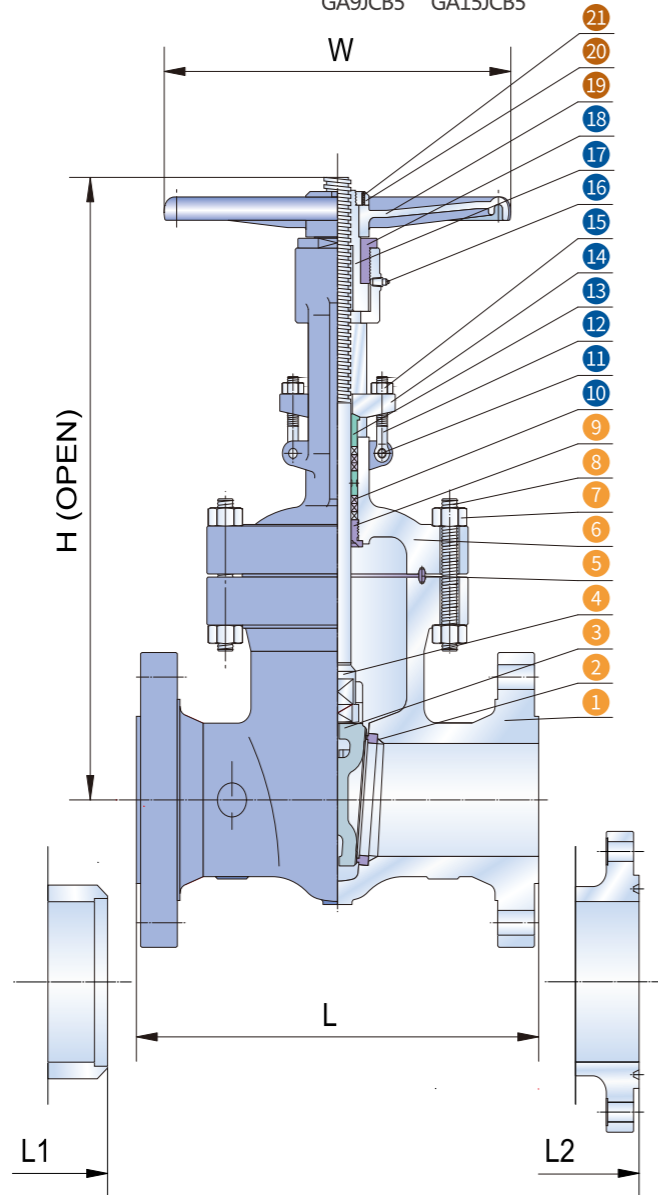
Dimensions And Weights

SIZE	in	2"	2.5"	3"	4"	6"	8"	10"	12"	14"	16"	18"	20"	24"
mm	50	65	80	100	150	200	250	300	350	400	450	500	600	
L/L1	in	11.50	13.00	14.00	17.00	22.00	26.00	31.00	33.00	35.00	39.00	43.00	47.00	55.00
mm	292	330	356	432	559	660	787	838	889	991	1092	1194	1397	
L2	in	11.62	13.12	14.12	17.12	22.12	26.12	31.12	33.12	35.12	39.12	43.12	47.25	55.38
mm	295	333	359	435	562	663	790	841	892	994	1095	1200	1407	
H	in	17.91	23.14	21.65	27.17	35.83	41.93	49.49	57.80	63.90	71.50	88.98	106.50	110.63
mm	455	588	550	690	910	1065	1257	1468	1745	1860	2194	2328	2810	
W	in	10	10	10	14	18	20	25	27	24	24	24	24	24
mm	250	250	300	350	450	500	640	680	610	610	610	610	610	
WEIGHT RF	Kg	45	55	76	127	277	485	754	936	1316	1672	2070	2405	4550

Cast Steel Gate Valve

Class 900~1500

Figure No. GA9RCB5 GA15RCB5
GA9BCB5 GA15BCB5
GA9JCB5 GA15JCB5



STANDARD MATERIALS OF PARTS

ITEM	PART NAME	MATERIAL
1	Body	ASTM A216 GR. WCB
2	Seat Ring	ASTM A105+Stellite Faced
3	Disc	ASTM A216 GR.WCB+Stellite Faced
4	Stem	ASTM A182 GR.F6a
5	Ring Joint	Soft Iron
6	Bonnet	ASTM A216 GR.WCB
7	Bonnet Bolt Nuts	ASTM A194 GR.2H
8	Bonnet Bolts	ASTM A193 GR.B7
9	Backseat Bushing	ASTM A276 Type 410
10	Stem Packing	Braided Graphite & Die formed Graphite Ring
11	Eye Bolt Pins	Carbon Steel
12	Gland Eye Bolts	ASTM A307 GR.B
13	Gland	ASTM A276 Type 410
14	Gland Flange	ASTM A216 GR.WCB
15	Eye Bolt Nuts	ASTM A194 GR.2H
16	Grease Nipple	Carbon Steel
17	Stem Nut	ASTM A439 GR.D-2
18	Retaining Nut	Carbon Steel
19	Handwheel	Ductile Iron
20	Handwheel Nut	Carbon Steel
21	Screw	Carbon Steel
22	Yoke	ASTM A 216 GR.WCB
23	Yoke Pan Bolt Nuts	ASTM A563
24	Yoke Pan Bolts	ASTM A307 B
25	Bearing	Steel
26	Lantern Ring On Request	ASTM A276 Type 410

FEATURES

- OS & Y, Rising Stem
- Bolted Bonnet
- Flexible Wedge
- Extended Bonnet For Cryogenic Services
- By Pass On Request
- Locking Device Optional

SPECIFICATIONS

Design	ASME B16.34/API 600
Face To Face	ASME B16.10
End To End	ASME B16.10
End Flange	ASME B16.5
BW End	ASME B16.25
Test	API 598
Special	NACE MR-01-75

Dimensions And Weights		CLASS 900							
SIZE	in	2"	2.5"	3"	4"	6"	8"	10"	12"
	mm	50	65	80	100	150	200	250	300
L/L1	in	14.50	16.50	15.00	18.00	24.00	29.00	33.00	38.00
	mm	368	419	381	457	610	737	838	965
L2	in	14.62	16.62	15.12	18.12	24.12	29.12	33.12	38.12
	mm	371	422	384	460	613	740	841	968
H	in	24.41	27.76	29.02	32.48	41.93	47.99	52.95	72.44
	mm	556	705	625	710	940	1174	1436	1669
W	in	12	14	14	16	20	24	24	24
	mm	300	350	350	400	560	640	610	610
WEIGHT RF	Kg	95	108	125	194	378	635	900	1550

Dimensions And Weights		CLASS 1500							
SIZE	in	2"	2.5"	3"	4"	6"	8"	10"	12"
	mm	50	65	80	100	150	200	250	300
L/L1	in	14.50	16.50	18.50	21.50	27.75	32.75	39.00	44.50
	mm	368	419	470	546	705	832	991	1130
L2	in	14.62	16.62	18.62	21.62	28.00	33.13	39.38	45.12
	mm	371	422	473	549	711	842	1000	1146
H	in	27.36	27.76	30.31	34.33	42.99	55.12	62.99	72.44
	mm	556	705	770	765	994	1311	1639	1840
W	in	14	16	16	20	24	24	24	24
	mm	300	400	400	500	460	610	610	610
WEIGHT RF	Kg	95	128	181	275	627	1000	2200	3300

Materials Of Parts

CAST STEEL GATE VALVE STANDARD MATERIALS OF PARTS

ITEM	PART NAME	CARBON STEEL			ALLOY STEEL			STAINLESS STEEL				
1	Body	A216 WCB	A352 LCB	A352 LCC	A217 WC1	A217 WC6	A217 C5	A351 CF8	A351 CF8M	A351 CF3	A351 CF3M	A351 CF8C
2	Seat Ring	A105	A350 LF2		A182 F1	A182 F11	A182 F5	A182 F304	A182 F316	A182 F304L	A182 F316L	A182 F321
3	Gate	A216 WCB	A352 LCB	A352 LCC	A217 WC1	A217 WC6	A217 C5	A351 CF8	A351 CF8M	A351 CF3	A351 CF3M	A351 CF8C
4	Stem	A182 F6a	A182 F316		A182 F6a	A182 F6a	A182 F6a	A182 F304	A182 F316	A182 F304L	A182 F316L	A182 F321
5	Gasket CL150-300	304+Graphite					316+Graphite					
	CL600-2500 Ring Joint	Soft Iron	316		Soft Iron							316
6	Bonnet	A216 WCB	A352 LCB	A352 LCC	A217 WC1	A217 WC6	A217 C5	A351 CF8	A351 CF8M	A351 CF3	A351 CF3M	A351 CF8C
7	Bonnet Bolt Nuts	A194 2H	A194 7M		A194 2H	A194 7						A194 8M
8	Bonnet Bolts	A193 B7	A320 L7M		A193 B7	A193 B16						A193 B8M CL2
9	Backseat Bushing	A276 410	A276 316		A276 410			A276 304	A276 316	A276 304L	A276 316L	A276 321
10	Stem Packing	Braided Graphite & Die formed Graphite Ring										
11	Eye Bolt Pins	Carbon Steel					Stainless Steel					
12	Gland Eye Bolts	A193 B7M					A193 B8M					
13	Gland	A276 410	A276 316		A276 410			A276 304	A276 316	A276 304	A276 316	A276 316
14	Gland Flange	A216 WCB or A105					A351 CF8 or 304					
15	Eye Bolt Nuts	A194 2HM					A194 8M					
16	Grease Nipple	Carbon Steel					Stainless Steel					
17	Stem Nut	A439 D-2										
18	Retaining Nut	Carbon Steel					Carbon Steel					
19	Handwheel	Ductile Iron										
20	Handwheel Nut	Carbon Steel					Stainless Steel					
21	Screw	Carbon Steel					Stainless Steel					
22	Yoke	A216 WCB					A351 CF8					
23	Yoke Pan Bolt Nuts	A194 2H					A194 8M					
24	Yoke Pan Bolts	A193 B7					A193 B8M CL2					
25	Bearing	Steel					Steel					
26	Lantern Ring Request	A276 410	A276 316		A276 410			A276 304	A276 316	A276 304	A276 316	A276 316
27	Bypass Piping	A105	A350 LF2		A182 F1	A182 F11	A182 F5	A182 F304	A182 F316	A182 304L	A182 316L	A182 321
28	Bypass Valve Trim	Same API Trim Number as Main Valve										

CAST STEEL SWING CHECK VALVE STANDARD MATERIALS OF PARTS

ITEM	PART NAME	CARBON STEEL			ALLOY STEEL			STAINLESS STEEL				
1	Body	A216 WCB	A352 LCB	A352 LCC	A217 WC1	A217 WC6	A217 C5	A351 CF8	A351 CF8M	A351 CF3	A351 CF3M	A351 CF8C
2	Seat Ring	A105	A350 LF2		A182 F1	A182 F11	A182 F5	A182 F304	A182 F316	A182 F304L	A182 F316L	A182 F321
3	Disc	A216 WCB	A352 LCB	A352 LCC	A217 WC1	A217 WC6	A217 C5	A351 CF8	A351 CF8M	A351 CF3	A351 CF3M	A351 CF8C
4	Disc Washer	Stainless Steel					Stainless Steel					
5	Disc Nut Pin	Stainless Steel					Stainless Steel					
6	Disc Nut	Stainless Steel					Stainless Steel					
7	Hinge	A216 WCB	A352 LCB	A352 LCC	A217 WC1	A217 WC6	A217 C5	A351 CF8	A351 CF8M	A351 CF3	A351 CF3M	A351 CF8C
8	Hinge Pin	A276 410	A276 316			A276 410		A276 F304	A276 F316	A276 F304L	A276 F316L	A276 F321
9	Bearing Bracket	A216 WCB	A352 LCB	A352 LCC	A217 WC1	A217 WC6	A217 C5	A351 CF8	A351 CF8M	A351 CF3	A351 CF3M	A351 CF8C
10	Spring Washer	Carbon Steel					Stainless Steel					
11	Hex, Bolt	Carbon Steel					Stainless Steel					
12	Gasket CL150-300	304+Graphite					316+Graphite					
	CL600-2500 Ring Joint	Soft Iron	316		Soft Iron			304				316
13	Cover Bolt	A194 2H	A320 L7M		A193 B7	A193 B16						A193 B8M CL2
14	Cover Bolt Nut	A193 B7	A194 7M		A194 2H	A194 7						A194 8M
15	Cover	A216 WCB	A352 LCB	A352 LCC	A217 WC1	A217 WC6	A217 C5	A351 CF8	A351 CF8M	A351 CF3	A351 CF3M	A351 CF8C
16	Eye Bolt	Steel										
17	Pulg	Stainless Steel										

CAST STEEL GLOBE VALVE STANDARD MATERIALS OF PARTS

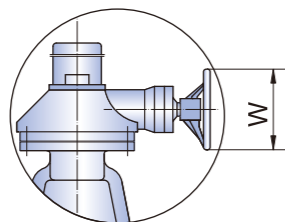
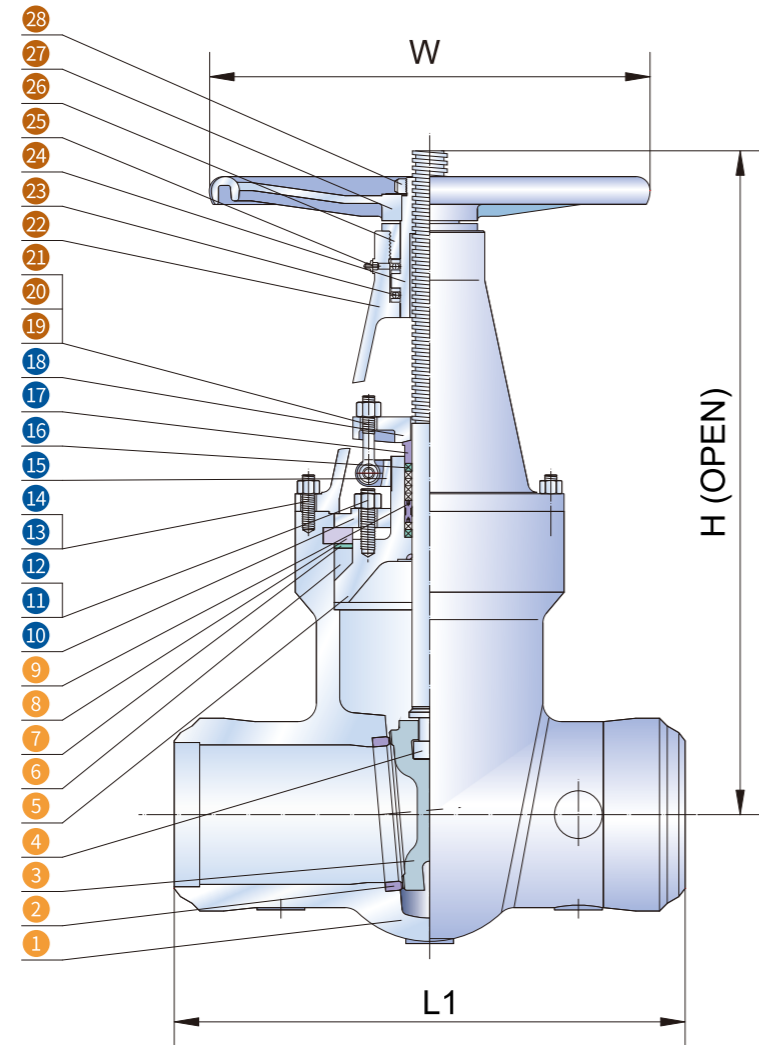
ITEM	PART NAME	CARBON STEEL			ALLOY STEEL			STAINLESS STEEL				
1	Body	A216 WCB	A352 LCB	A352 LCC	A217 WC1	A217 WC6	A217 C5	A351 CF8	A351 CF8M	A351 CF3	A351 CF3M	A351 CF8C
2	Seat Ring	A105	A350 LF2		A182 F1	A182 F11	A182 F5	A182 F304	A182 F316	A182 F304L	A182 F316L	A182 F321
3	Disc	A105	A350 LF2		A182 F1	A182 F11	A182 F5	A182 F304	A182 F316	A182 F304L	A182 F316L	A182 F321
4	Disc Thrust Plate	A276 420	A276 316			A276 420						
5	Disc Nut	A276 410	A276 316			A276 410		A276 304	A276 316	A276 304L	A276 316L	A276 321
6	Stem	A182 F6a	A182 F316			A182 F6a		A182 F304	A182 F316	A182 F304L	A182 F316L	A182 F321
7	Bonnet Bolt Nuts	A194 2H	A194 7M		A194 2H	A194 7						A194 8M
8	Bonnet Bolts	A193 B7	A320 L7M		A193 B7	A193 B16						A193 B8M CL2
9	Gasket CL150-300	304+Graphite					316+Graphite					
	CL600-2500 Ring Joint	Soft Iron			316							316
10	Backseat Bushing	A276 410	A276 304			A276 410		A276 304	A276 316	A276 304L	A276 316L	A276 321
11	Stem Packing	Braided Graphite & Die formed Graphite Ring										
12	Bonnet	A216 WCB	A352 LCB	A352 LCC	A217 WC1	A217 WC6	A217 C5	A351 CF8	A351 CF8M	A351 CF3	A351 CF3M	A351 CF8C
13	Eye Bolt Pins	Carbon Steel					Stainless Steel					
14	Gland	A276 410	A276 304			A276 410		A276 304	A276 316	A276 304	A276 316	A276 316
15	Gland Flange	A216 WCB					A351 CF8					
16	Gland Eye Bolts	A193 B7M					A193 B8M					
17	Eye Bolt Nuts	A194 2HM					A194 8M					
18	Yoke Bush	A439D-2										
19	Screw	Carbon Steel					Stainless Steel					
20	Handwheel	Ductile Iron										
21	Handwheel Nut	Carbon Steel					Stainless Steel					
22	Washer	Carbon Steel					Stainless Steel					
23	Lantern Ring On Request	A276 410	A276 304			A276 410		A276 304	A276 316	A276 304	A276 316	A276 316
24	Bypass Piping	A105	A350 LF2		A182 F1	A182 F11	A182 F5	A182 304	A182 316	A182 304L	A182 316L	A182 321
25	Bypass Valve Trim	Same API Trim Number as Main Valve										

* Due to quick develop, we reserve the right to institute changes in material, design and specifications for all VIZA designed valves without prior notice.

Pressure Seal Gate Valve

Class 600~2500

Figure No. GA6RCB5-P / GA6BCB5-P / GA6JCB5-P
 GA9RCB5-P / GA9BCB5-P / GA9JCB5-P
 GA15RCB5-P / GA15BCB5-P / GA15JCB5-P
 GA25RCB5-P / GA25BCB5-P / GA25JCB5-P



Gear Standard for
 8" & Larger(CL600)
 8" & Larger(CL900)
 8" & Larger(CL1500)
 6" & Larger(CL2500)

STANDARD MATERIALS OF PARTS

ITEM	PART NAME	MATERIAL
1	Body	ASTM A216 GR. WCB
2	Seat Ring	ASTM A105+Stellite Faced
3	Disc	ASTM A216 GR.WCB+Stellite Faced
4	Stem	ASTM A182 GR.F6a
5	Bonnet	ASTM A216 GR.WCB+Stellite Faced
6	Gasket	ASTM A182 GR.F304
7	Thrust Ring	ASTM A276 Type 410
8	Separate Ring	Carbon Steel
9	Lantern Ring On Request	ASTM A276 Tyoe 410
10	Bonnet Retainer	Carbon Steel
11	Bonnet Bolts	ASTM A193 GR.B7
12	Bonnet Bolt Nuts	ASTM A194 GR.2H
13	Yoke Bolts	ASTM A193 GR.B7
14	Yoke Bolt Nuts	ASTM A194 GR.2H
15	Gland Eye	ASTM A216 GR.WCB
16	Stem Packing	Braided Graphite & Die formed Graphite Ring
17	Gland	ASTM A276 Type 410
18	Gland Flange	ASTM A276 GR.WCB
19	Eye Bolt Pins	Carbon Steel
20	Gland Eye Bolts	ASTM A307 B
21	Eye Bolt Nuts	ASTM A563
22	Yoke	ASTM A216 GR.WCB
23	Bearing	Steel
24	Stem Nut	ASTM A439 GR.D-2
25	Grease Nipple	Carbon Steel
26	Retaining Nut	Carbon Steel
27	Handwheel	Ductile Iron
28	Handwheel Nut	Carbon Steel

FEATURES

- OS & Y, Rising Stem
- Pressure Seal
- Flexible Wedge
- Backseat Weld-Deposit
- By Pass On Request
- Locking Decice Optional
- Gear Optional

SPECIFICATIONS

Design	ASME B16.34
Face To Face	ASME B16.10
End To End	ASME B16.10
End Flange	ASME B16.5
BW End	ASME B16.25
Test	API 598
Special	NACE MR-01-75

Dimensions And Weights		CLASS 600							
SIZE	in	2"	2.5"	3"	4"	6"	8"	10"	12"
	mm	50	65	80	100	150	200	250	300
L	in	7.00	8.50	10.00	12.00	18.00	23.00	28.00	32.00
(Short Pattern)	mm	178	216	254	305	457	584	711	813
L	in	11.50	13.00	14.00	17.00	22.00	26.00	31.00	33.00
(Long Pattern)	mm	292	330	356	432	559	660	787	833
H	in	18.31	20.67	24.02	27.36	32.28	37.20	48.03	57.09
	mm	465	525	610	695	820	945	1220	1450
W	in	11.81	11.81	13.78	15.75	17.72	24.02	24.02	24.02
	mm	300	300	350	400	450	610	610	610
WEIGHT BW	kg	32	54	64	104	218	467	627	1060

Dimensions And Weights		CLASS 900							
SIZE	in	2"	2.5"	3"	4"	6"	8"	10"	12"
	mm	50	65	80	100	150	200	250	300
L	in	8.50	10.00	12.00	14.00	20.00	26.00	31.00	36.00
(Short Pattern)	mm	216	254	305	356	508	660	787	914
L	in	14.50	16.50	15.00	18.00	24.00	29.00	33.00	39.00
(Long Pattern)	mm	368	419	381	457	610	737	838	965
H	in	24.00	30.00	30.71	33.86	40.35	50.63	60.63	70.28
	mm	610	762	780	860	1025	1286	1540	1785
W	in	12	14	14	16	20	24	24	24
	mm	300	350	350	400	500	610	610	610
WEIGHT BW	kg	50	72	86	110	202	530	782	1135

Dimensions And Weights		CLASS 1500							
SIZE	in	2"	2.5"	3"	4"	6"	8"	10"	12"
	mm	50	65	80	100	150	200	250	300
L	in	8.50	10.00	12.00	16.00	22.00	28.00	34.00	39.00
(Short Pattern)	mm	216	254	305	406	559	711	864	991
L	in	14.50	16.50	18.50	21.50	27.75	32.75	39.00	44.50
(Long Pattern)	mm	368	419	470	546	705	832	991	1130
H	in	24.00	30.55	30.90	34.40	40.35	53.46	61.74	74.50
	mm	610	776	785	874	1025	1358	1568	1892
W	in	12	16	16	20	24	24	24	24
	mm	300	400	400	500	600	610	610	610
WEIGHT BW	kg	50	78	92	145	230	540	1060	1184

Dimensions And Weights		CLASS 2500							
SIZE	in	2"	2.5"	3"	4"	6"	8"	10"	12"
	mm	50	65	80	100	150	200	250	300
L	in	11.00	13.00	14.50	18.00	24.00	30.00	36.00	41.00
(Short Pattern)	mm	279	330	368	457	610	762	914	1041
L	in	17.75	20.00	22.75	26.50	36.00	40.25	50.00	56.00
(Long Pattern)	mm	451	508	578	673	914	1022	1270	1422
H	in	24.00	30.55	30.90	34.40	44.02	53.46	66.14	74.50
	mm	610	776	785	874	1118	1358	1680	1892
W	in	14	18	18	20	24	24	24	24
	mm	350	450	450	500	610	610	610	610
WEIGHT BW	kg	60	112	122	192	480	830	1678	2320