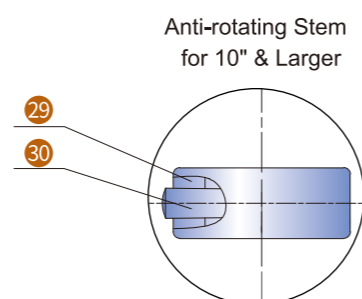
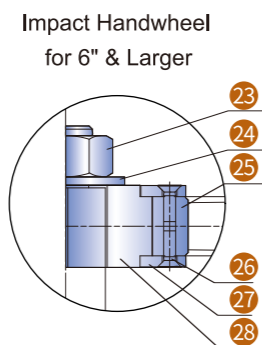
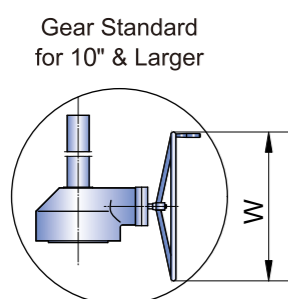
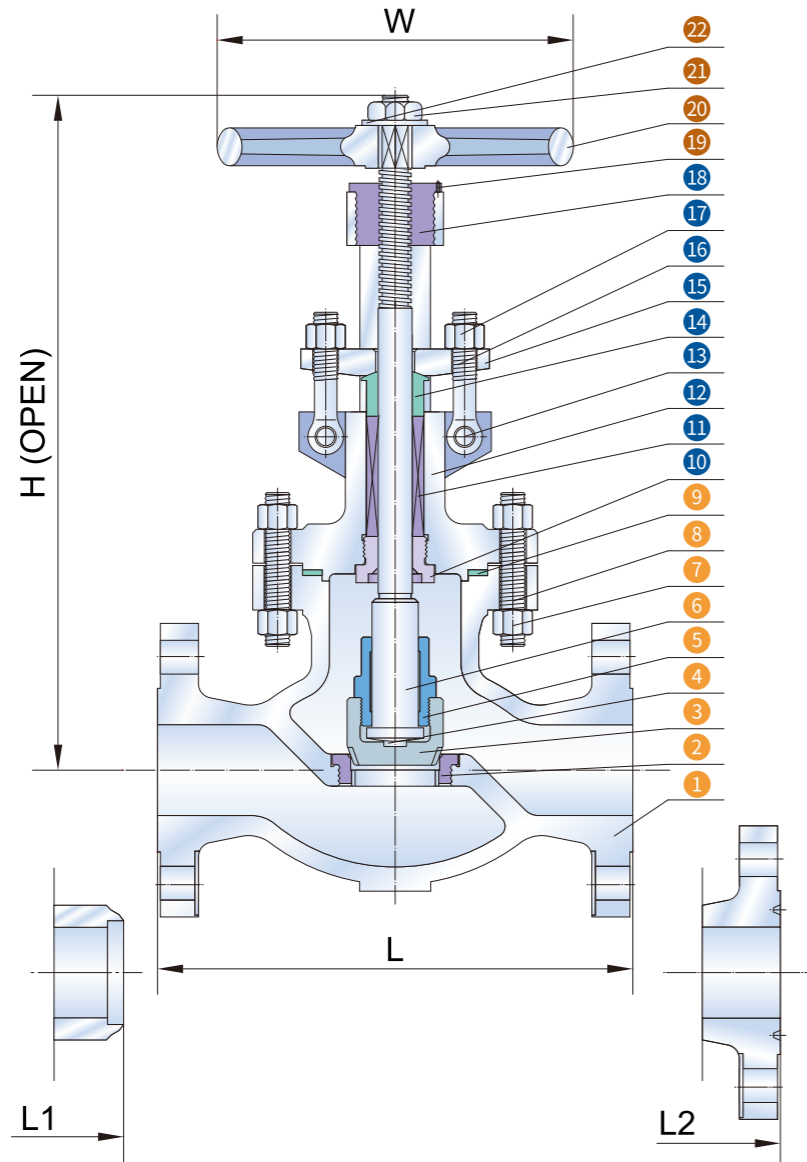


# Cast Steel Globe Valve

## Class 150

Figure No. GL1RCB8 / GL1BCB8 / GL1JCB8



## STANDARD MATERIALS OF PARTS

ITEM	PART NAME	MATERIAL
1	Body	ASTM A216 GR. WCB
2	Seat Ring	ASTM A105+Stellite Faced
3	Disc	ASTM A105+13Cr Faced
4	Disc Thrust Plate	ASTM A276 Type 420
5	Disc Nut	ASTM A276 Type 410
6	Stem	ASTM A182 GR.F6a
7	Bonnet Bolt Nuts	ASTM A194 GR.2H
8	Bonnet Bolts	ASTM A193 GR.B7
9	Gasket	SS+Graphite
10	Backseat Bushing	ASTM A276 Type 410
11	Stem Packing	Braided Graphite & Die formed Graphite Ring
12	Bonnet	ASTM A216 GR.WCB
13	Eye Bolt Pins	Carbon Steel
14	Gland	ASTM A276 Type 410
15	Gland Flange	ASTM A216 GR.WCB
16	Gland Eye Bolts	ASTM A307 GR.B
17	Eye Bolt Nuts	ASTM A563
18	Yoke Bush	ASTM A439 GR.D-2
19	Screw	Carbon Steel
20	Handwheel	Ductile Iron
21	Handwheel Nut	Carbon Steel
22	Washer	Carbon Steel
23	Handwheel Nut	Carbon Steel
24	Washer	Carbon Steel
25	Handwheel	Carbon Steel
26	Screw	Carbon Steel
27	Baffle	Carbon Steel
28	Impact Block	Carbon Steel
29	Guide Block	Stainless Steel
30	Pin	Stainless Steel

## FEATURES

- OS & Y, Rising Stem
- Bolted Bonnet
- Conic Disc
- Extended Bonnet For Cryogenic Services
- Impact Handwheel Optional
- Gear Optional

## SPECIFICATIONS

Design	ASME B16.34/BS 1873
Face To Face	ASME B16.10
End To End	ASME B16.10
End Flange	ASME B16.5
BW End	ASME B16.25
Test	API 598
Special	NACE MR-01-75

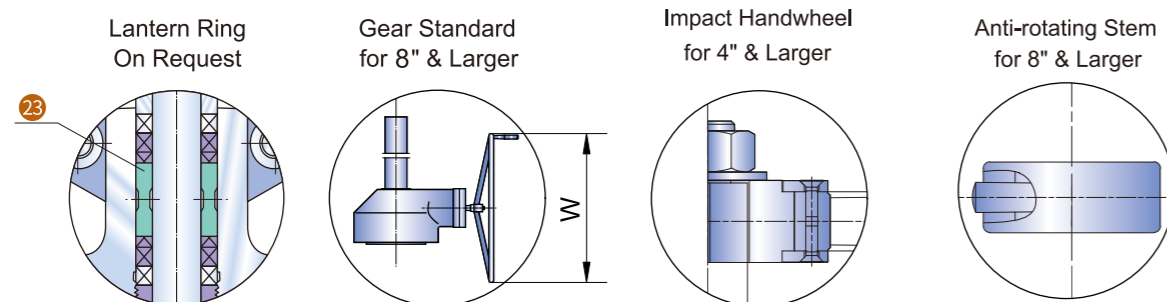
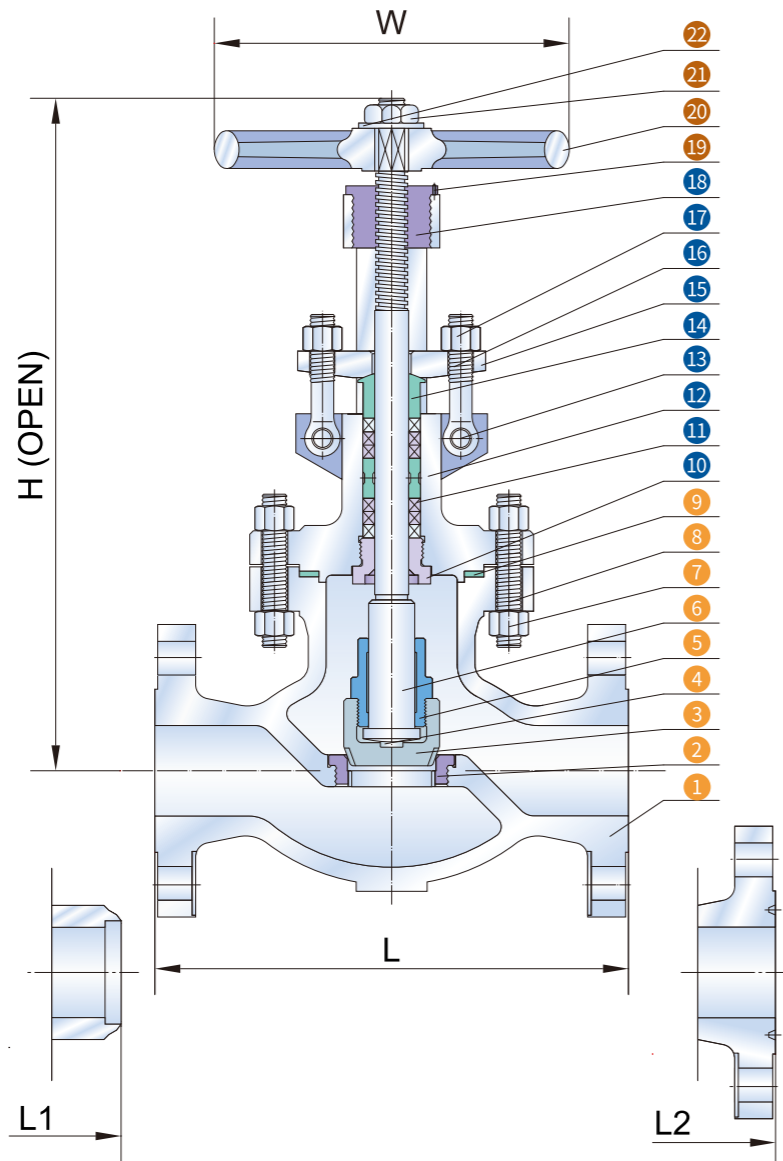
## Dimensions And Weights

SIZE	in	2"	2.5"	3"	4"	6"	8"	10"	12"	14"	16"	18"
	mm	50	65	80	100	150	200	250	300	350	400	450
L/L1	in	8.00	8.50	9.50	11.50	16.00	19.50	24.50	27.50	31.00	36.00	38.50
	mm	203	216	241	292	406	495	622	698	787	914	978
L2	in	8.50	9.00	10.00	12.00	16.50	20.00	25.00	28.00	31.50	36.50	39.00
	mm	216	229	254	305	419	508	635	711	800	927	991
H	in	13.58	16.34	15.94	19.09	20.47	23.62	30.00	33.94	38.58	47.05	51.18
	mm	355	405	405	472	575	645	813	943	1014	1151	1300
W	in	8	8	10	12	14	18	20	25	25	24	24
	mm	200	200	250	300	350	450	500	640	640	610	610
WEIGHT RF	Kg	22	32	38	62	104	159	308	539	610	880	1150

# Cast Steel Globe Valve

## Class 300

Figure No. GL3RCB8 / GL3BCB8 / GL3JCB8



## STANDARD MATERIALS OF PARTS

ITEM	PART NAME	MATERIAL
1	Body	ASTM A216 GR. WCB
2	Seat Ring	ASTM A105+Stellite Faced
3	Disc	ASTM A105+13Cr Faced
4	Disc Thrust Plate	ASTM A276 Type 420
5	Disc Nut	ASTM A276 Type 410
6	Stem	ASTM A182 GR.F6a
7	Bonnet Bolt Nuts	ASTM A194 GR.2H
8	Bonnet Bolts	ASTM A193 GR.B7
9	Gasket	SS+Graphite
10	Backseat Bushing	ASTM A276 Type 410
11	Stem Packing	Braided Graphite & Die formed Graphite Ring
12	Bonnet	ASTM A216 GR.WCB
13	Eye Bolt Pins	Carbon Steel
14	Gland	ASTM A276 Type 410
15	Gland Flange	ASTM A216 GR.WCB
16	Gland Eye Bolts	ASTM A307 GR.B
17	Eye Bolt Nuts	ASTM A563
18	Yoke Bush	ASTM A439 GR.D-2
19	Screw	Carbon Steel
20	Handwheel	Ductile Iron
21	Handwheel Nut	Carbon Steel
22	Washer	Carbon Steel
23	Lantern Ring On Request	ASTM A276 Type 410

## FEATURES

- OS & Y, Rising Stem
- Bolted Bonnet
- Conic Disc
- Extended Bonnet For Cryogenic Services
- Impact Handwheel Optional
- Gear Optional

## SPECIFICATIONS

Design	ASME B16.34/BS 1873
Face To Face	ASME B16.10
End To End	ASME B16.10
End Flange	ASME B16.5
BW End	ASME B16.25
Test	API 598
Special	NACE MR-01-75

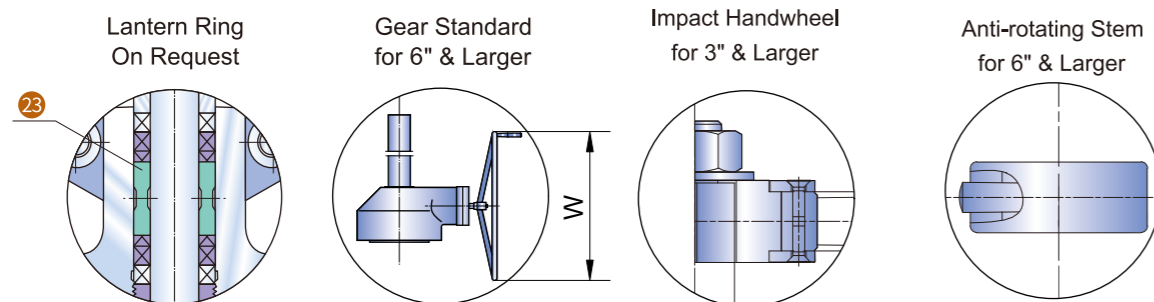
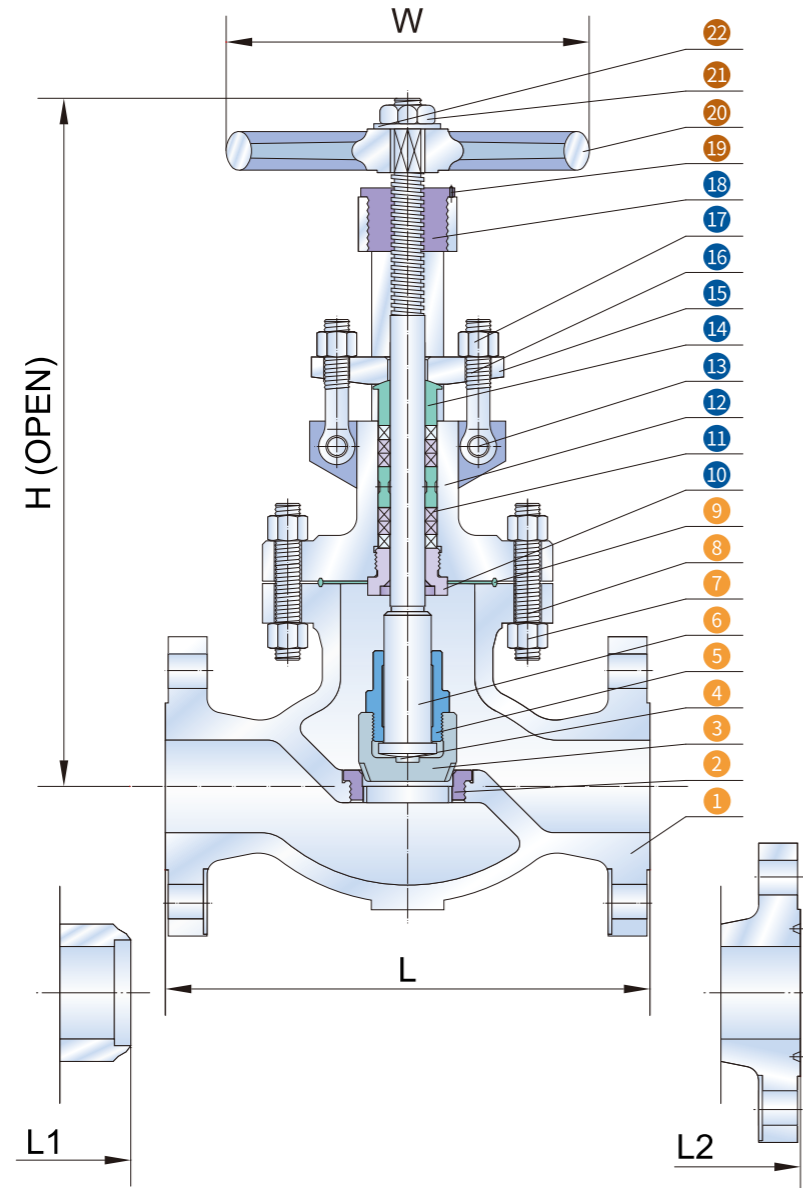
## Dimensions And Weights

SIZE	in	2"	2.5"	3"	4"	6"	8"	10"	12"	14"
mm	50	65	80	100	150	200	250	300	350	
L/L1	in	10.50	11.50	12.50	14.00	17.50	22.00	24.50	28.00	33.00
mm	267	292	318	356	445	559	622	711	838	
L2	in	11.12	12.12	13.12	14.62	18.12	22.62	25.12	28.62	33.62
mm	283	308	333	371	460	575	638	727	854	
H	in	14.57	18.66	17.32	20.67	24.41	35.83	37.36	40.63	42.91
mm	380	435	445	520	650	895	880	1070	1090	
W	in	8	10	10	14	18	22	24	25	24
mm	200	250	250	350	450	560	600	640	610	
WEIGHT RF	Kg	28	48	56	82	154	240	319	632	975

# Cast Steel Globe Valve

## Class 600

Figure No. GL6RCB8 / GL6BCB8 / GL6JCB8



### STANDARD MATERIALS OF PARTS

ITEM	PART NAME	MATERIAL
1	Body	ASTM A216 GR. WCB
2	Seat Ring	ASTM A105+Stellite Faced
3	Disc	ASTM A105+13Cr Faced
4	Disc Thrust Plate	ASTM A276 Type 420
5	Disc Nut	ASTM A276 Type 410
6	Stem	ASTM A182 GR.F6a
7	Bonnet Bolt Nuts	ASTM A194 GR.2H
8	Bonnet Bolts	ASTM A193 GR.B7
9	Gasket, Ring Joint	Soft Iron
10	Backseat Bushing	ASTM A276 Type 410
11	Stem Packing	Braided Graphite & Die formed Graphite Ring
12	Bonnet	ASTM A216 GR.WCB
13	Eye Bolt Pins	Carbon Steel
14	Gland	ASTM A276 Type 410
15	Gland Flange	ASTM A216 GR.WCB
16	Gland Eye Bolts	ASTM A307 GR.B
17	Eye Bolt Nuts	ASTM A563
18	Yoke Bush	ASTM A439 GR.D-2
19	Screw	Carbon Steel
20	Handwheel	Ductile Iron
21	Handwheel Nut	Carbon Steel
22	Washer	Carbon Steel
23	Lantern Ring On Request	ASTM A276 Type 410

### FEATURES

- OS & Y, Rising Stem
- Bolted Bonnet
- Conic Disc
- Extended Bonnet For Cryogenic Services
- Impact Handwheel Optional
- Gear Optional

### SPECIFICATIONS

Design	ASME B16.34/BS 1873
Face To Face	ASME B16.10
End To End	ASME B16.10
End Flange	ASME B16.5
BW End	ASME B16.25
Test	API 598
Special	NACE MR-01-75

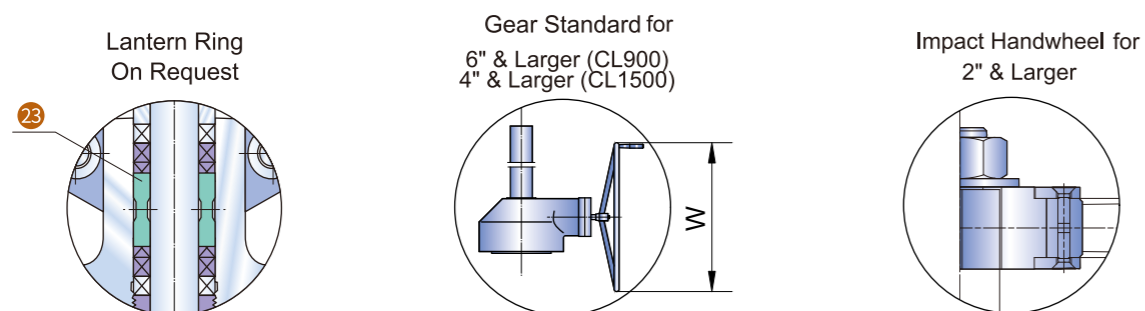
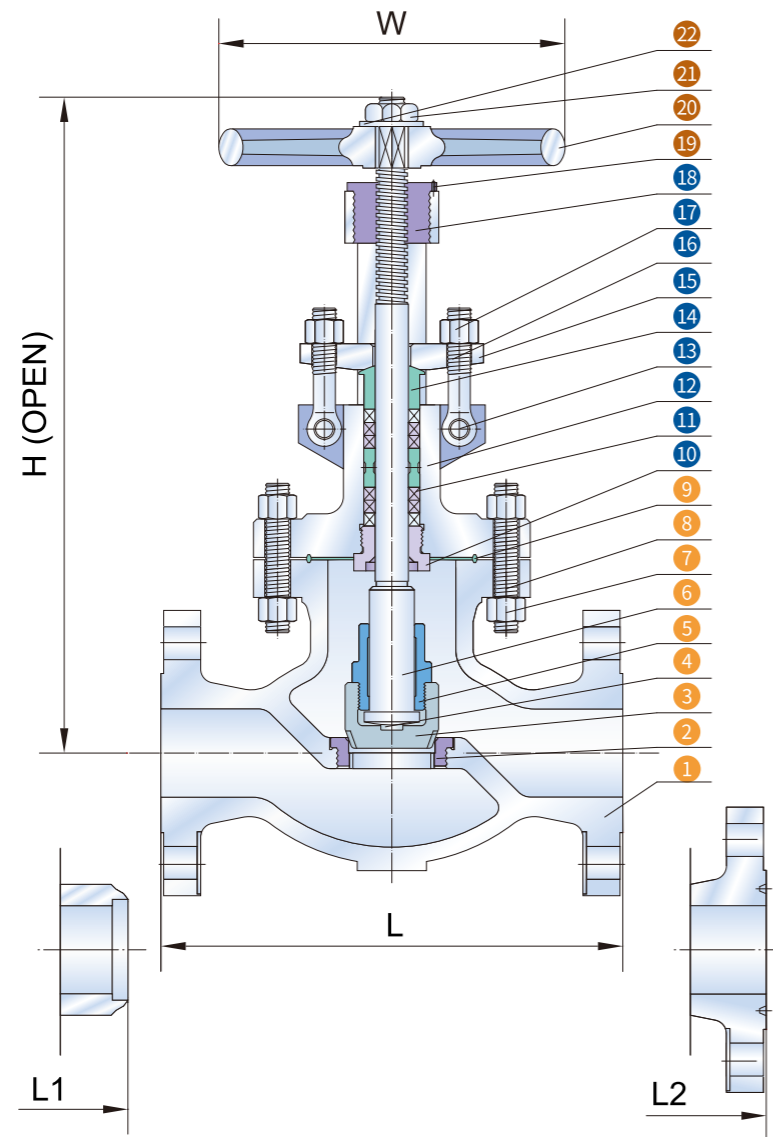
### Dimensions And Weights

SIZE	in	2"	2.5"	3"	4"	6"	8"	10"	12"
	mm	50	65	80	100	150	200	250	300
L/L1	in	11.50	13.00	14.00	17.00	22.00	26.00	31.00	33.00
	mm	292	330	356	432	559	660	787	838
L2	in	11.62	13.12	14.12	17.12	22.12	26.12	31.12	33.12
	mm	295	333	359	435	562	663	790	841
H	in	18.19	21.26	23.03	26.38	34.88	36.69	40.94	50.39
	mm	468	540	585	635	805	990	1156	1194
W	in	10	10	12	18	20	25	24	24
	mm	250	250	350	450	500	640	610	810
WEIGHT RF	Kg	36	70	85	123	404	450	700	900

# Cast Steel Globe Valve

**Class 900~1500**

Figure No. GL9RCB5 / GL9BCB5 / GL9JCB5  
GL15RCB5 / GL15BCB5 / GL15JCB5



## STANDARD MATERIALS OF PARTS

ITEM	PART NAME	MATERIAL
1	Body	ASTM A216 GR. WCB
2	Seat Ring	ASTM A105+Stellite Faced
3	Disc	ASTM A105+Stellite Faced
4	Disc Thrust Plate	ASTM A276 Type 420
5	Disc Nut	ASTM A276 Type 410
6	Stem	ASTM A182 GR.F6a
7	Bonnet Bolt Nuts	ASTM A194 GR.2H
8	Bonnet Bolts	ASTM A193 GR.B7
9	Ring Joint	Soft Iron
10	Backseat Bushing	ASTM A276 Type 410
11	Stem Packing	Braided Graphite & Die formed Graphite Ring
12	Bonnet	ASTM A216 GR.WCB
13	Eye Bolt Pins	Carbon Steel
14	Gland	ASTM A276 Type 410
15	Gland Flange	ASTM A216 GR.WCB
16	Gland Eye Bolts	ASTM A307 GR.B
17	Eye Bolt Nuts	ASTM A563
18	Yoke Bush	ASTM A439 GR.D-2
19	Screw	Carbon Steel
20	Handwheel	Ductile Iron
21	Handwheel Nut	Carbon Steel
22	Washer	Carbon Steel
23	Lantern Ring On Request	ASTM A276 Type 410

## FEATURES

- OS & Y, Rising Stem
- Bolted Bonnet
- Conic Disc
- Extended Bonnet For Cryogenic Services
- Impact Handwheel Optional
- Gear Optional

## SPECIFICATIONS

Design	ASME B16.34/BS 1873
Face To Face	ASME B16.10
End To End	ASME B16.10
End Flange	ASME B16.5
BW End	ASME B16.25
Test	API 598
Special	NACE MR-01-75

Dimensions And Weights			CLASS 900				
SIZE	in	2"	2.5"	3"	4"	6"	8"
	mm	50	65	80	100	150	200
L/L1	in	14.50	16.50	15.00	18.00	24.00	29.00
	mm	368	419	381	457	610	737
L2	in	14.62	16.62	15.12	18.12	24.12	29.12
	mm	371	422	384	460	613	740
H	in	23.62	25.98	26.18	31.50	43.62	46.61
	mm	530	660	598	723	860	1184
W	in	14	14	18	20	24	24
	mm	350	350	450	500	610	610
WEIGHT RF	Kg	95	138	122	195	435	730

Dimensions And Weights			CLASS 1500				
SIZE	in	2"	2.5"	3"	4"	6"	8"
	mm	50	65	80	100	150	200
L/L1	in	14.50	16.50	18.50	21.50	27.75	32.75
	mm	368	419	470	546	705	832
L2	in	14.62	16.62	18.62	21.62	28.00	33.13
	mm	371	422	473	549	711	841
H	in	25.98	25.98	30.31	33.46	45.08	52.95
	mm	530	660	645	839	1015	1270
W	in	14	14	20	22	24	24
	mm	350	350	500	560	610	610
WEIGHT RF	Kg	95	138	250	435	540	970

# Materials Of Parts

## CAST STEEL GATE VALVE STANDARD MATERIALS OF PARTS

ITEM	PART NAME	CARBON STEEL			ALLOY STEEL			STAINLESS STEEL				
1	Body	A216 WCB	A352 LCB	A352 LCC	A217 WC1	A217 WC6	A217 C5	A351 CF8	A351 CF8M	A351 CF3	A351 CF3M	A351 CF8C
2	Seat Ring	A105	A350 LF2		A182 F1	A182 F11	A182 F5	A182 F304	A182 F316	A182 F304L	A182 F316L	A182 F321
3	Gate	A216 WCB	A352 LCB	A352 LCC	A217 WC1	A217 WC6	A217 C5	A351 CF8	A351 CF8M	A351 CF3	A351 CF3M	A351 CF8C
4	Stem	A182 F6a	A182 F316		A182 F6a	A182 F6a	A182 F6a	A182 F304	A182 F316	A182 F304L	A182 F316L	A182 F321
5	Gasket CL150-300	304+Graphite					316+Graphite					
	CL600-2500 Ring Joint	Soft Iron	316		Soft Iron							316
6	Bonnet	A216 WCB	A352 LCB	A352 LCC	A217 WC1	A217 WC6	A217 C5	A351 CF8	A351 CF8M	A351 CF3	A351 CF3M	A351 CF8C
7	Bonnet Bolt Nuts	A194 2H	A194 7M		A194 2H	A194 7						A194 8M
8	Bonnet Bolts	A193 B7	A320 L7M		A193 B7	A193 B16						A193 B8M CL2
9	Backseat Bushing	A276 410	A276 316		A276 410			A276 304	A276 316	A276 304L	A276 316L	A276 321
10	Stem Packing	Braided Graphite & Die formed Graphite Ring										
11	Eye Bolt Pins	Carbon Steel					Stainless Steel					
12	Gland Eye Bolts	A193 B7M					A193 B8M					
13	Gland	A276 410	A276 316		A276 410			A276 304	A276 316	A276 304	A276 316	A276 316
14	Gland Flange	A216 WCB or A105					A351 CF8 or 304					
15	Eye Bolt Nuts	A194 2HM					A194 8M					
16	Grease Nipple	Carbon Steel					Stainless Steel					
17	Stem Nut	A439 D-2										
18	Retaining Nut	Carbon Steel					Carbon Steel					
19	Handwheel	Ductile Iron										
20	Handwheel Nut	Carbon Steel					Stainless Steel					
21	Screw	Carbon Steel					Stainless Steel					
22	Yoke	A216 WCB					A351 CF8					
23	Yoke Pan Bolt Nuts	A194 2H					A194 8M					
24	Yoke Pan Bolts	A193 B7					A193 B8M CL2					
25	Bearing	Steel					Steel					
26	Lantern Ring Request	A276 410	A276 316		A276 410			A276 304	A276 316	A276 304	A276 316	A276 316
27	Bypass Piping	A105	A350 LF2		A182 F1	A182 F11	A182 F5	A182 F304	A182 F316	A182 304L	A182 316L	A182 321
28	Bypass Valve Trim	Same API Trim Number as Main Valve										

## CAST STEEL SWING CHECK VALVE STANDARD MATERIALS OF PARTS

ITEM	PART NAME	CARBON STEEL			ALLOY STEEL			STAINLESS STEEL				
1	Body	A216 WCB	A352 LCB	A352 LCC	A217 WC1	A217 WC6	A217 C5	A351 CF8	A351 CF8M	A351 CF3	A351 CF3M	A351 CF8C
2	Seat Ring	A105	A350 LF2		A182 F1	A182 F11	A182 F5	A182 F304	A182 F316	A182 F304L	A182 F316L	A182 F321
3	Disc	A216 WCB	A352 LCB	A352 LCC	A217 WC1	A217 WC6	A217 C5	A351 CF8	A351 CF8M	A351 CF3	A351 CF3M	A351 CF8C
4	Disc Washer	Stainless Steel					Stainless Steel					
5	Disc Nut Pin	Stainless Steel					Stainless Steel					
6	Disc Nut	Stainless Steel					Stainless Steel					
7	Hinge	A216 WCB	A352 LCB	A352 LCC	A217 WC1	A217 WC6	A217 C5	A351 CF8	A351 CF8M	A351 CF3	A351 CF3M	A351 CF8C
8	Hinge Pin	A276 410	A276 316			A276 410		A276 F304	A276 F316	A276 F304L	A276 F316L	A276 F321
9	Bearing Bracket	A216 WCB	A352 LCB	A352 LCC	A217 WC1	A217 WC6	A217 C5	A351 CF8	A351 CF8M	A351 CF3	A351 CF3M	A351 CF8C
10	Spring Washer	Carbon Steel					Stainless Steel					
11	Hex, Bolt	Carbon Steel					Stainless Steel					
12	Gasket CL150-300	304+Graphite					316+Graphite					
	CL600-2500 Ring Joint	Soft Iron	316		Soft Iron			304				316
13	Cover Bolt	A194 2H	A320 L7M		A193 B7	A193 B16						A193 B8M CL2
14	Cover Bolt Nut	A193 B7	A194 7M		A194 2H	A194 7						A194 8M
15	Cover	A216 WCB	A352 LCB	A352 LCC	A217 WC1	A217 WC6	A217 C5	A351 CF8	A351 CF8M	A351 CF3	A351 CF3M	A351 CF8C
16	Eye Bolt	Steel										
17	Pulg	Stainless Steel										

## CAST STEEL GLOBE VALVE STANDARD MATERIALS OF PARTS

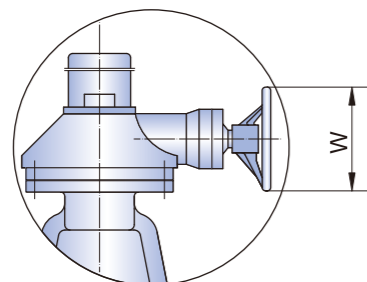
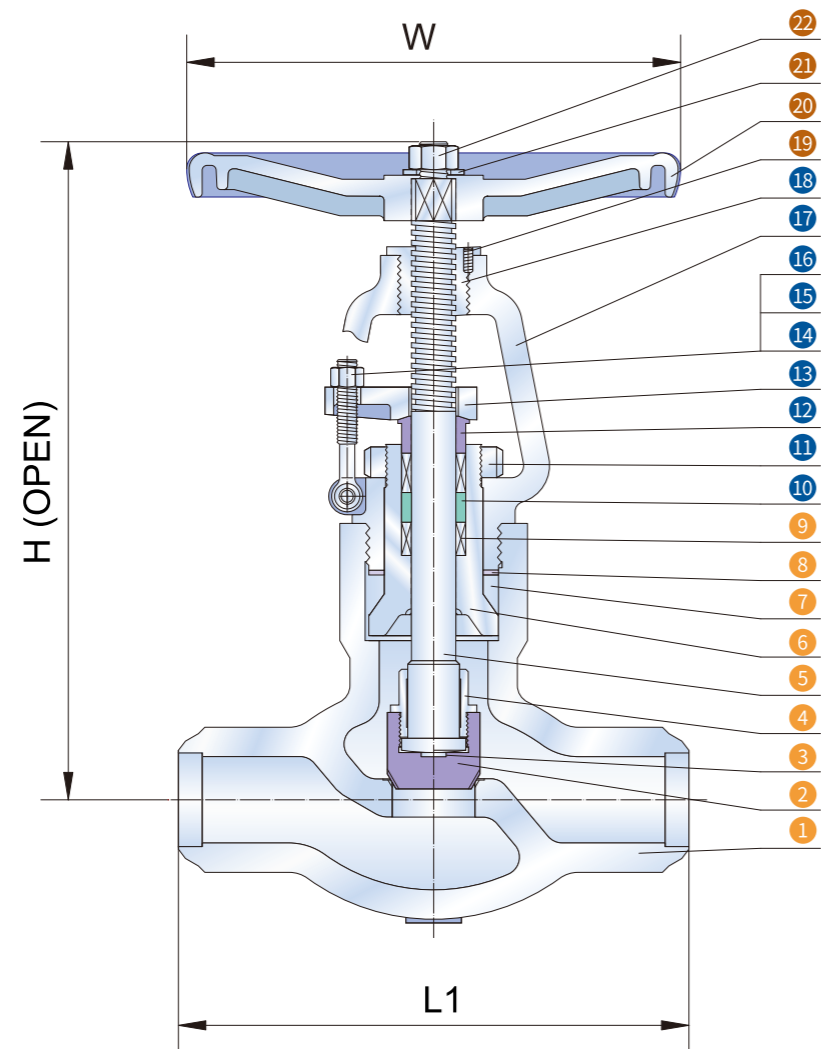
ITEM	PART NAME	CARBON STEEL			ALLOY STEEL			STAINLESS STEEL				
1	Body	A216 WCB	A352 LCB	A352 LCC	A217 WC1	A217 WC6	A217 C5	A351 CF8	A351 CF8M	A351 CF3	A351 CF3M	A351 CF8C
2	Seat Ring	A105	A350 LF2		A182 F1	A182 F11	A182 F5	A182 F304	A182 F316	A182 F304L	A182 F316L	A182 F321
3	Disc	A105	A350 LF2		A182 F1	A182 F11	A182 F5	A182 F304	A182 F316	A182 F304L	A182 F316L	A182 F321
4	Disc Thrust Plate	A276 420	A276 316			A276 420						
5	Disc Nut	A276 410	A276 316			A276 410		A276 304	A276 316	A276 304L	A276 316L	A276 321
6	Stem	A182 F6a	A182 F316			A182 F6a		A182 F304	A182 F316	A182 F304L	A182 F316L	A182 F321
7	Bonnet Bolt Nuts	A194 2H	A194 7M		A194 2H	A194 7						A194 8M
8	Bonnet Bolts	A193 B7	A320 L7M		A193 B7	A193 B16						A193 B8M CL2
9	Gasket CL150-300	304+Graphite					316+Graphite					
	CL600-2500 Ring Joint	Soft Iron				316						316
10	Backseat Bushing	A276 410	A276 304			A276 410		A276 304	A276 316	A276 304L	A276 316L	A276 321
11	Stem Packing	Braided Graphite & Die formed Graphite Ring										
12	Bonnet	A216 WCB	A352 LCB	A352 LCC	A217 WC1	A217 WC6	A217 C5	A351 CF8	A351 CF8M	A351 CF3	A351 CF3M	A351 CF8C
13	Eye Bolt Pins	Carbon Steel					Stainless Steel					
14	Gland	A276 410	A276 304			A276 410		A276 304	A276 316	A276 304	A276 316	A276 316
15	Gland Flange	A216 WCB					A351 CF8					
16	Gland Eye Bolts	A193 B7M					A193 B8M					
17	Eye Bolt Nuts	A194 2HM					A194 8M					
18	Yoke Bush	A439D-2										
19	Screw	Carbon Steel					Stainless Steel					
20	Handwheel	Ductile Iron										
21	Handwheel Nut	Carbon Steel					Stainless Steel					
22	Washer	Carbon Steel					Stainless Steel					
23	Lantern Ring On Request	A276 410	A276 304			A276 410		A276 304	A276 316	A276 304	A276 316	A276 316
24	Bypass Piping	A105	A350 LF2		A182 F1	A182 F11	A182 F5	A182 304	A182 316	A182 304L	A182 316L	A182 321
25	Bypass Valve Trim	Same API Trim Number as Main Valve										

\* Due to quick develop, we reserve the right to institute changes in material, design and specifications for all VIZA designed valves without prior notice.

# Pressure Seal Globe Valve

## Class 600~2500

Figure No. GL6RCB5-P / GL6BCB5-P / GL6JCB5-P  
 GL9RCB5-P / GL9BCB5-P / GL9JCB5-P  
 GL15RCB5-P / GL15BCB5-P / GL15JCB5-P  
 GL25RCB5-P / GL25BCB5-P / GL25JCB5-P



Gear Standard for  
 6" & Larger(CL600)  
 6" & Larger(CL900)  
 6" & Larger(CL1500)  
 4" & Larger(CL2500)

### STANDARD MATERIALS OF PARTS

ITEM	PART NAME	MATERIAL
1	Body	ASTM A216 GR. WCB+Stellite Faced
2	Disc	ASTM A105+Stellite Faced
3	Disc Thrust Plate	ASTM A276 Type 420
4	Disc Nut	ASTM A276 Type 410
5	Stem	ASTM A182 GR.F6a
6	Bonnet	ASTM A216 GR. WCB+Stellite Faced
7	Gasket	ASTM A182 GR.F304
8	Thrust Ring	ASTM A276 Tyoe 410
9	Separate Ring	Braided Graphite & Die formed Graphite Ring
10	Lantern Ring	ASTM A276 Type 410
11	Bonnet Retainer	Carbon Steel
12	Gland	ASTM A276 Type 410
13	Gland Flange	ASTM A216 GR.WCB
14	Eye Bolt Pins	Carbon Steel
15	Gland Eye Bolts	ASTM A193 GR.B7
16	Eye Bolt Nuts	ASTM A194 GR.2H
17	Yoke	ASTM A216 GR.WCB
18	Yoke Bush	ASTM A439 GR.D-2
19	Screw	Carbon Steel
20	Handwheel	Ductile Iron
21	Washer	Carbon Steel
22	Handwheel Nut	ASTM A194 GR.2

### FEATURES

- OS & Y, Rising Stem
- Pressure Seal
- Conic Disc
- Backseat Weld-Deposit
- By Pass On Request
- Locking Device Optional
- Gear Optional

### SPECIFICATIONS

Design	ASME B16.34
Face To Face	ASME B16.10
End To End	ASME B16.10
End Flange	ASME B16.5
BW End	ASME B16.25
Test	API 598
Special	NACE MR-01-75

Dimensions And Weights		CLASS 600						
SIZE	in	2"	2.5"	3"	4"	6"	8"	
	mm	50	65	80	100	150	200	
L (Short Pattern)	in	7.00	8.50	10.00	12.00	18.00	23.00	
	mm	178	216	254	305	457	584	
L (Long Pattern)	in	11.50	13.00	14.00	17.00	22.00	26.00	
	mm	292	330	356	432	559	660	
H	in	18.19	21.26	23.03	26.57	31.89	38.58	
	mm	462	540	585	675	810	980	
W	in	9.84	11.84	17.72	18.11	24.02	24.02	
	mm	250	300	450	460	610	610	
WEIGHT BW	Kg	45	56	76	125	290	581	

Dimensions And Weights		CLASS 900						
SIZE	in	2"	2.5"	3"	4"	6"	8"	
	mm	50	65	80	100	150	200	
L (Short Pattern)	in	10.00	12.00	14.00	20.00	26.00		
	mm	254	305	356	508	660		
L (Long Pattern)	in	14.50	16.50	18.00	24.00	29.00		
	mm	368	419	457	610	737		
H	in	24.41	25.40	28.50	33.40	48.23	53.15	
	mm	620	645	724	848	1225	1350	
W	in	14	14	18	20	24	24	
	mm	350	350	450	500	610	610	
WEIGHT BW	Kg	62	86	86	140	380	948	

Dimensions And Weights		CLASS 1500						
SIZE	in	2"	2.5"	3"	4"	6"	8"	
	mm	50	65	80	100	150	200	
L (Short Pattern)	in	8.50	10.00	12.00	16.00	22.00	28.00	
	mm	216	254	305	406	559	711	
L (Long Pattern)	in	14.50	16.50	18.50	21.50	27.75	32.75	
	mm	368	419	470	546	705	832	
H	in	24.41	25.40	32.68	33.86	48.50	70.24	
	mm	620	645	830	860	1232	1784	
W	in	14	14	20	22	24	24	
	mm	350	350	500	560	610	610	
WEIGHT BW	Kg	62	86	112	158	765	1494	

Dimensions And Weights		CLASS 2500						
SIZE	in	2"	2.5"	3"	4"	6"	8"	
	mm	50	65	80	100	150	200	
L (Short Pattern)	in	11.00	13.00	14.50	18.00	24.00	30.00	
	mm	279	330	368	457	610	762	
L (Long Pattern)	in	17.75	20.00	22.75	26.50	36.00	40.25	
	mm	451	508	578	673	914	1022	
H	in	24.41	30.63	34.84	51.10	53.74	83.46	
	mm	620	778	885	1298	1365	2120	
W	in	16	20	22	24	24	24	
	mm	400	500	560	610	610	610	
WEIGHT BW	Kg	80	115	152	358	965	2095	