

BUTTERFLY VALVE

DESIGN FEATURES

✓ **Ease of Service and Maintenance**

User friendly design permits for easy and fast part replacement on field with minimum down time.

✓ **Bi-directional Sealing**

All valves seat are encased around inside of the valves. This allows bi-directional sealing allowing the disc to seal even when its turn 180°.

✓ **Blow Out Proof Stem**

Positive anti-blow-out stem design on the complete product range prevents stem removal when valve is installed. This feature allows easy replacement of upper stem seals – double O-rings and expanded graphite – while the valve is installed (in closed position).

✓ **Locked Positioner**

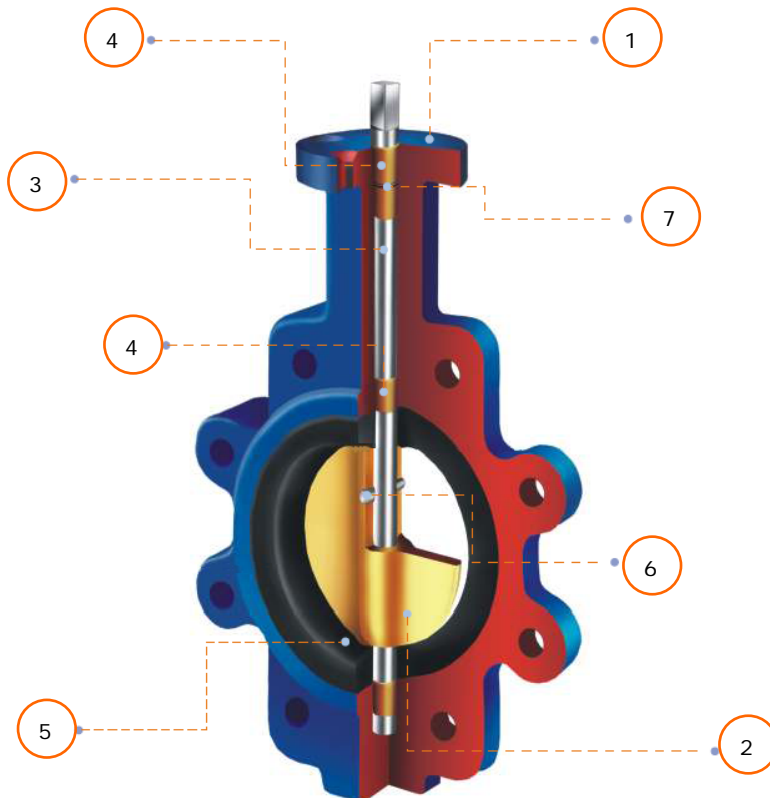
All valves come with a multi-locked positioner which allows the user to open the valves to the desired angle.

✓ **NACE MR-01-75 Compliance**

All materials can be supplied to NACE MR-01-75 compliance. Compliance is ensured during the manufacturing process by strict inspection and material control.

SIZE / PRESSURE			
	PN	From	To
Wafer Type	1.0 MPa	2"	24"
	1.6 MPa	2"	24"
Lugged Type	1.0 MPa	2"	24"
	1.6 MPa	2"	24"

STANDARDS	
Design	MSS SP-67, API 609
Test	API 598
Face to Face	ANSI B16.1, BS 4504, ISO 2084, DIN 2501
Flange Ends	ISO 5211

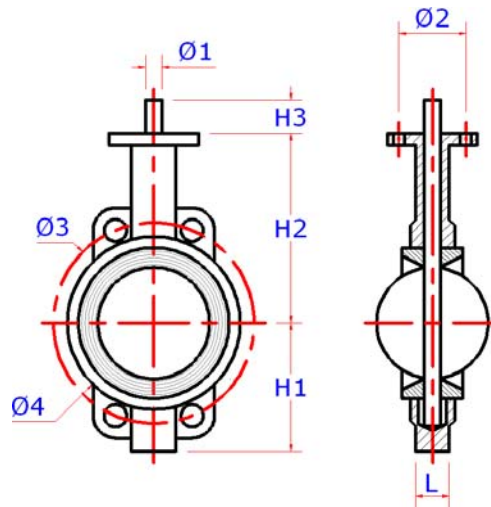
WAFER OR LUGGED TYPE BUTTERFLY VALVE


No	Part Name
1	Body
2	Disc
3	Stem
4	Bushing
5	Seat
6	Pin
7	O-ring

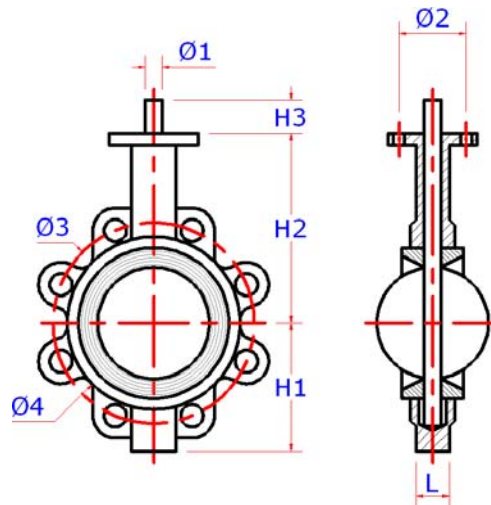
Material of Main Parts

Body	Grey Iron, Ductile Iron, Cast Steel, Stainless Steel
Disc	Ductile Iron, Bronze, SS304, SS316
Stem	SS416, SS304, SS316
Bushing	Lubricated Bronze, PTFE
Seat	BUNA, EPDM, Neoprene, PTFE, NR, NBR, Hypalon, Viton
Pin	SS304, SS316
O-ring	BUNA, EPDM

DIMENSION AND WEIGHTS



SIZE		H1 (mm)	H2 (mm)	H3 (mm)	L (mm)	Ø1 (mm)	Ø2 (mm)	Ø3 (mm)			Ø4 (mm)
Inch	mm							ANSI B16.1	BS / DIN / ISO		
								1.0 MPa	1.0 MPa	1.6 MPa	
2"	50	75.8	161.9	32	45	12.7	57.15	120.65	125	125	88
2.5"	65	88.9	174.6	32	48	12.7	57.15	139.7	145	145	107.95
3"	80	95.2	180.9	32	49	12.7	57.15	152.4	160	160	117.5
4"	100	114.3	199.9	32	55	15.9	69.85	190.5	180	180	155.6
5"	125	127	212.7	32	58	19	69.85	215.9	210	210	181
6"	150	139.7	225.4	32	59	19	69.85	241.3	240	240	209.6
8"	200	196.85	260.3	45	63.5	22.2	88.9	298.45	295	295	260.5
10"	250	203.2	292	45	70	28.6	88.9	361.95	350	355	320.7
12"	300	241.3	336.5	45	80	31.7	107.95	431.8	400	410	384.2
14"	350	266.7	368.2	45	79.5	31.7	107.95	476.25	460	470	400
16"	400	298.45	400	51	90	33.34	158.75	539.75	515	525	465.2
18"	450	317.5	422.2	51	109	38	158.75	577.85	565	585	514.35
20"	500	349.25	479.4	64	135	41.15	158.75	635	620	650	558.8
24"	600	409.58	561.9	70.52	156	50.65	215.9	749.3	725	770	685.8

DIMENSION AND WEIGHTS


SIZE		H1 (mm)	H2 (mm)	H3 (mm)	L (mm)	Ø1 (mm)	Ø2 (mm)	Ø3 (mm)			Ø4 (mm)
								ANSI B16.1	BS / DIN / ISO		
Inch	mm							1.0 MPa	1.0 MPa	1.6 MPa	
2"	50	75.8	161.9	32	45	12.7	57.15	120.65	125	125	95.25
2.5"	65	94.8	174.6	32	48	12.7	57.15	139.7	145	145	120.65
3"	80	101.2	180.9	32	49	12.7	57.15	152.4	160	160	133.35
4"	100	120.2	199.9	32	55	15.9	69.85	190.5	180	180	159
5"	125	132.9	212.7	32	58	19	69.85	215.9	210	210	190.5
6"	150	146	225.4	32	59	19	69.85	241.3	240	240	206
8"	200	177.4	260.3	45	63.5	22.2	88.9	298.45	295	295	261.8
10"	250	209.2	292	45	70	28.6	88.9	361.95	350	355	320.7
12"	300	247.3	336.5	45	80	31.7	107.95	431.8	400	410	384.2
14"	350	279	368.2	45	80	31.7	107.95	476.25	460	470	400
16"	400	304.4	400	51	90	33.34	158.75	539.75	515	525	465.2
18"	450	361.6	422.2	51	109	38	158.75	577.85	565	585	514.35
20"	500	367.9	479.4	64	135	41.15	158.75	635	620	650	577.2
24	600	441	561.9	70.52	156	50.65	215.9	749.3	725	770	685.8